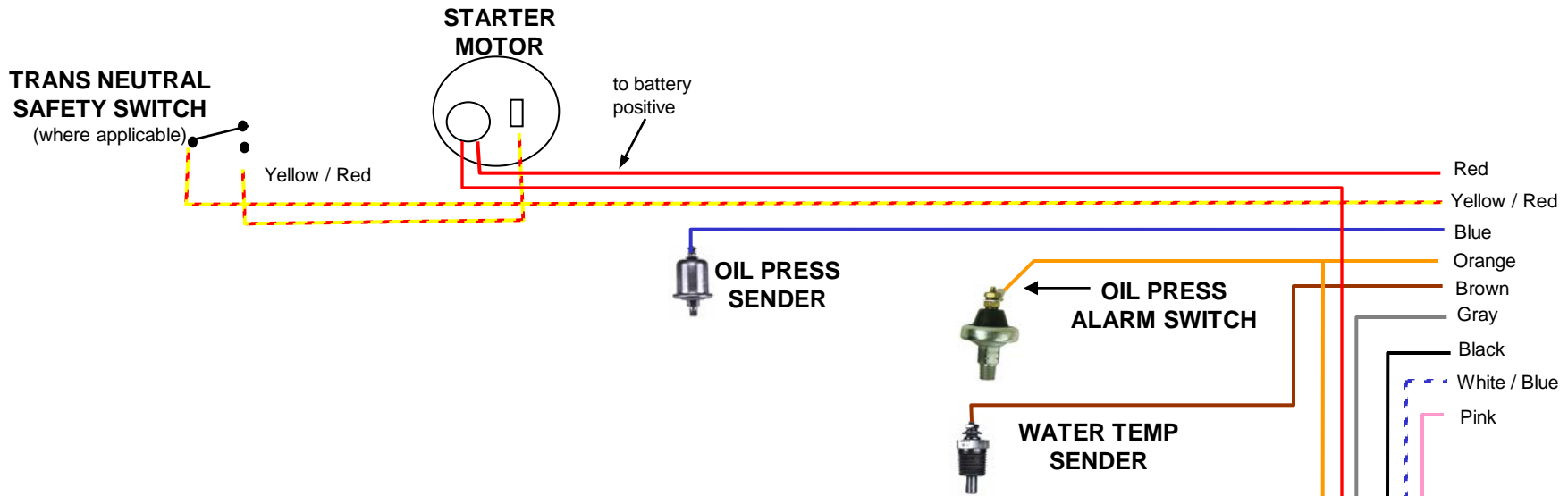


Std. Eng. Harness connections for Faria Euro White & Datcon Panel. as supplied by **Trans Atlantic Diesels, Inc.**

For Perkins 4.108, 4.236, 6.354, & others (using Delco 7127 alternator). Suitable for standard ground electrical systems.



Wiring Color Code Connections for TAD Inc. Panel

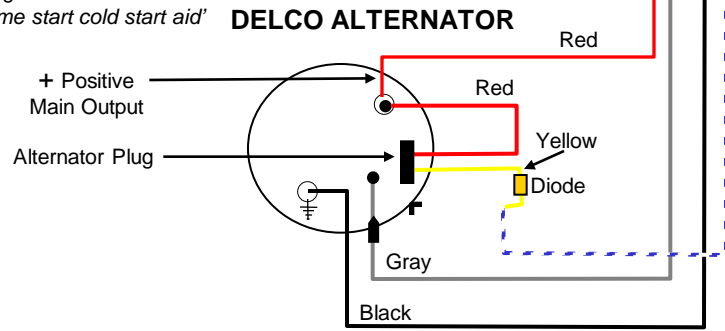
BLACK #10	Ground – Connect to ground post on alternator, starter or engine block
RED #10	Positive Feed to Panel – Connect to positive + main large terminal on starter (some earlier models had blue strip on red wire)
YELLOW with RED STRIP #14	Starter Solenoid – Connect to solenoid starter engage terminal on starter. (small terminal) Should connect through neutral safety switch on transmission where applicable.
GRAY #16	Tachometer – Connect to tachometer output terminal on alternator.
WHITE with BLUE STRIP #16	Exciter – Connect to alternator excitation terminal on back of alternator. This provides 12v excitation from the key switch.
LIGHT BLUE #16	Oil Pressure – Connect to oil pressure gauge sender.
LIGHT BROWN #16	Water Temperature – Connect to water temperature gauge sender.
ORANGE #16	Alarms – Connect to low oil pressure alarm switch sensor and link to high water temp alarm switch sensor. Both must be linked to same orange wire.
PINK #12	Extra Wire – Cold start or electric stop as applicable.

To COLD START OR ELECTRIC STOP

As applicable... if your engine has both it will be necessary to run an additional wire in the harness.

See drawing:

'WD07 – Solenoid relay for flame start cold start aid'



RED #10	Main Alternator Output Terminal – For standard alternator 65 Amp. Connect to positive + main large terminal on starter motor. (Not supplied when panel is purchased separately from engine.)
---------	---

IMPORTANT FOR HIGH OUTPUT ALTERNATOR (ABOVE 65 Amps)

Customer should supply and fit a larger wire from the output terminal on the alternator to the battery/s directly or via main Positive terminal on starter motor. Wire sized according to output and length of wire. If the alternator is isolated ground, than the size of the ground wire should also be increased. Contact alternator manufacturer for recommendations on wire size. Standard #10 Red wire in harness is only suitable for standard 65 amp alternator.

IMPORTANT: Using undersized or incorrect wire could cause a fire hazard.

Trans Atlantic Diesels, Inc. (804) 642-9296
 If you have any questions regarding harness connections, please call us for assistance.
 Remember an incorrect connection could cause damage. **NOTE: It is recommended that a certified marine electrician inspect and approve the installation before connecting power.**