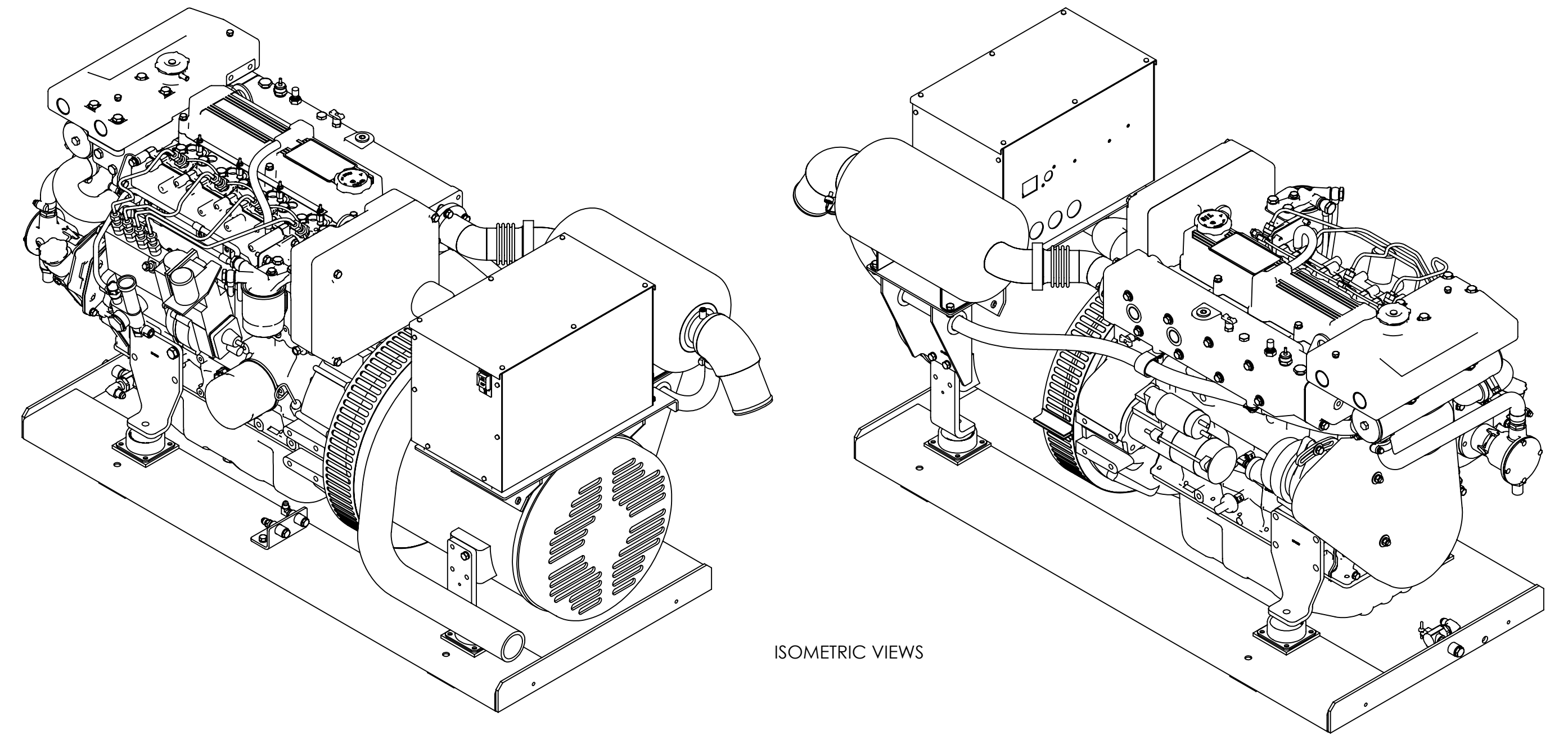
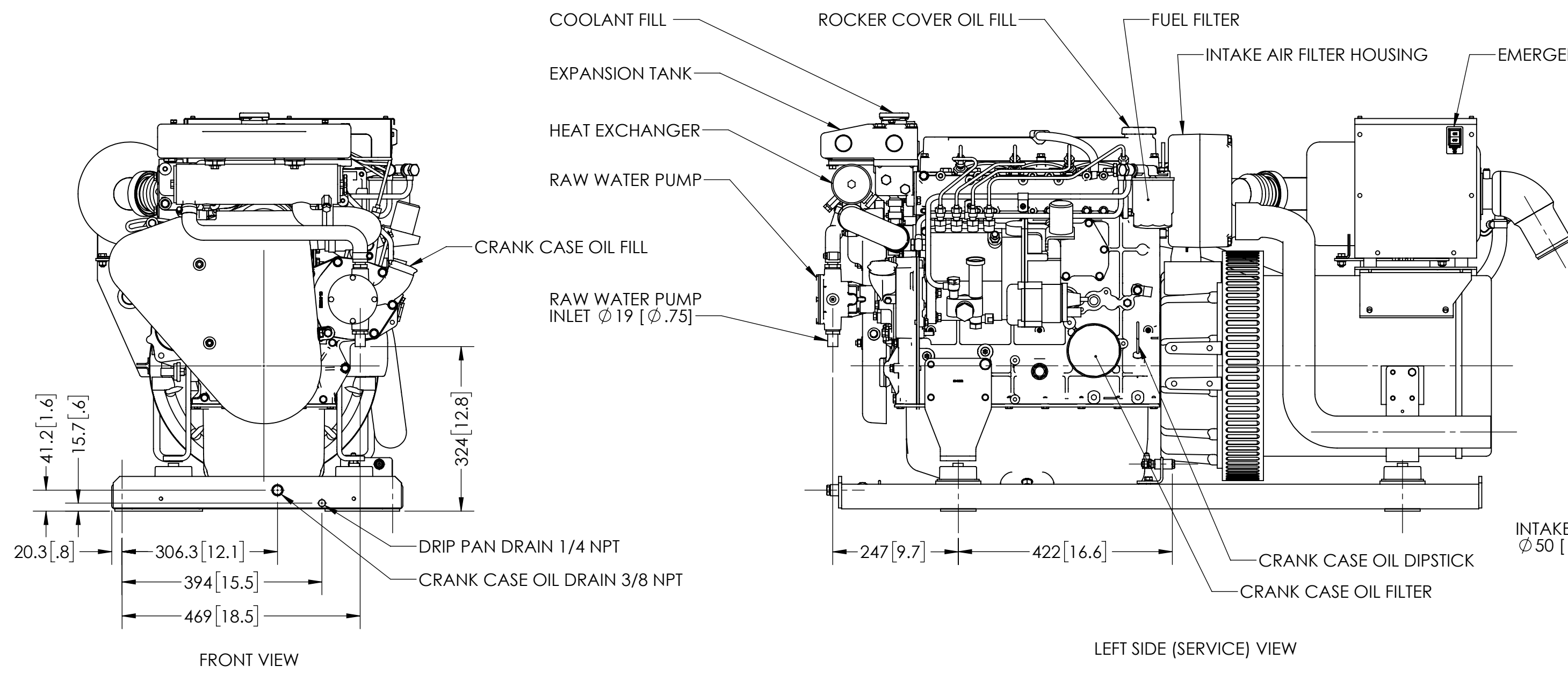


TOP VIEW

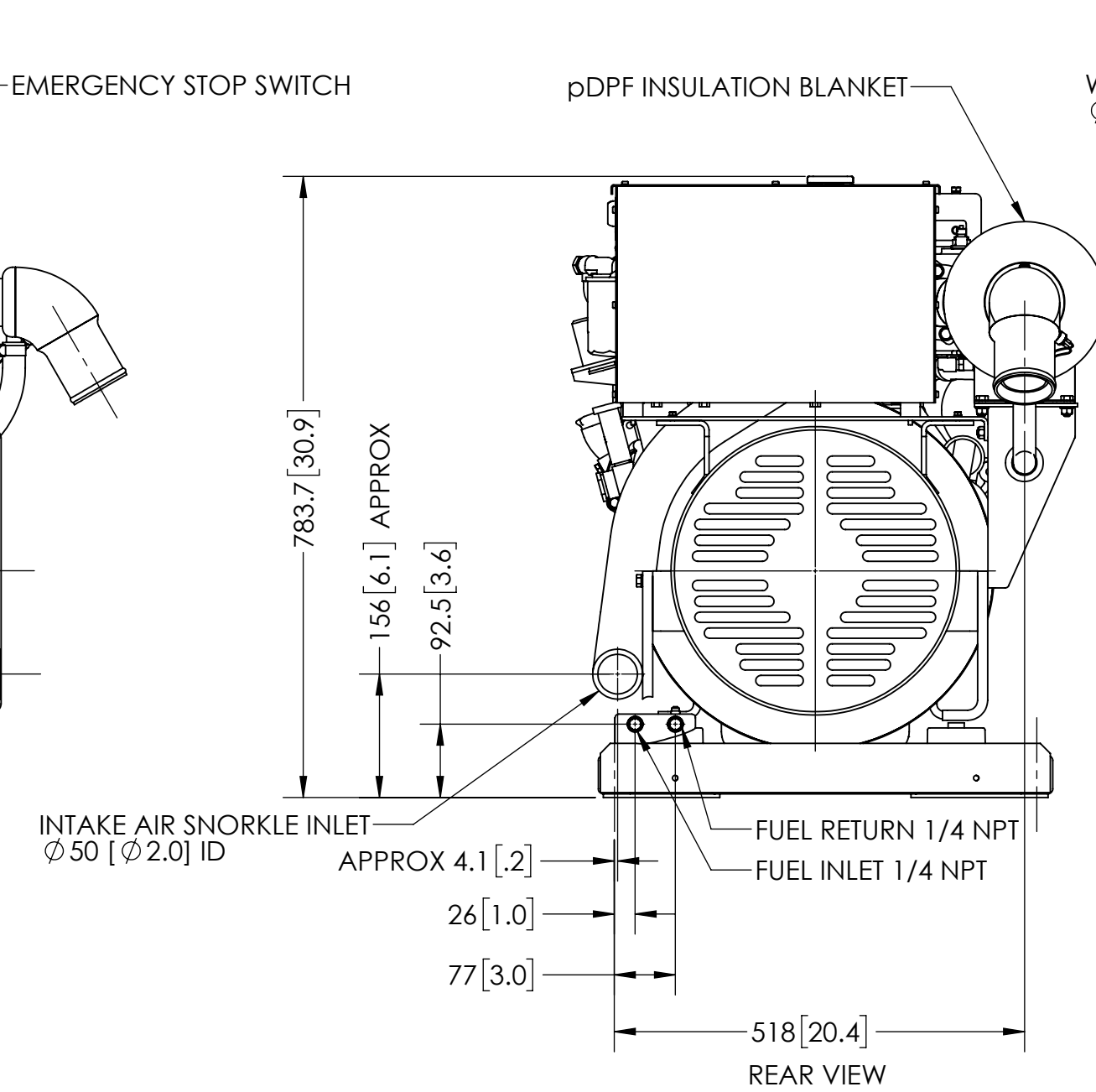


ISOMETRIC VIEWS

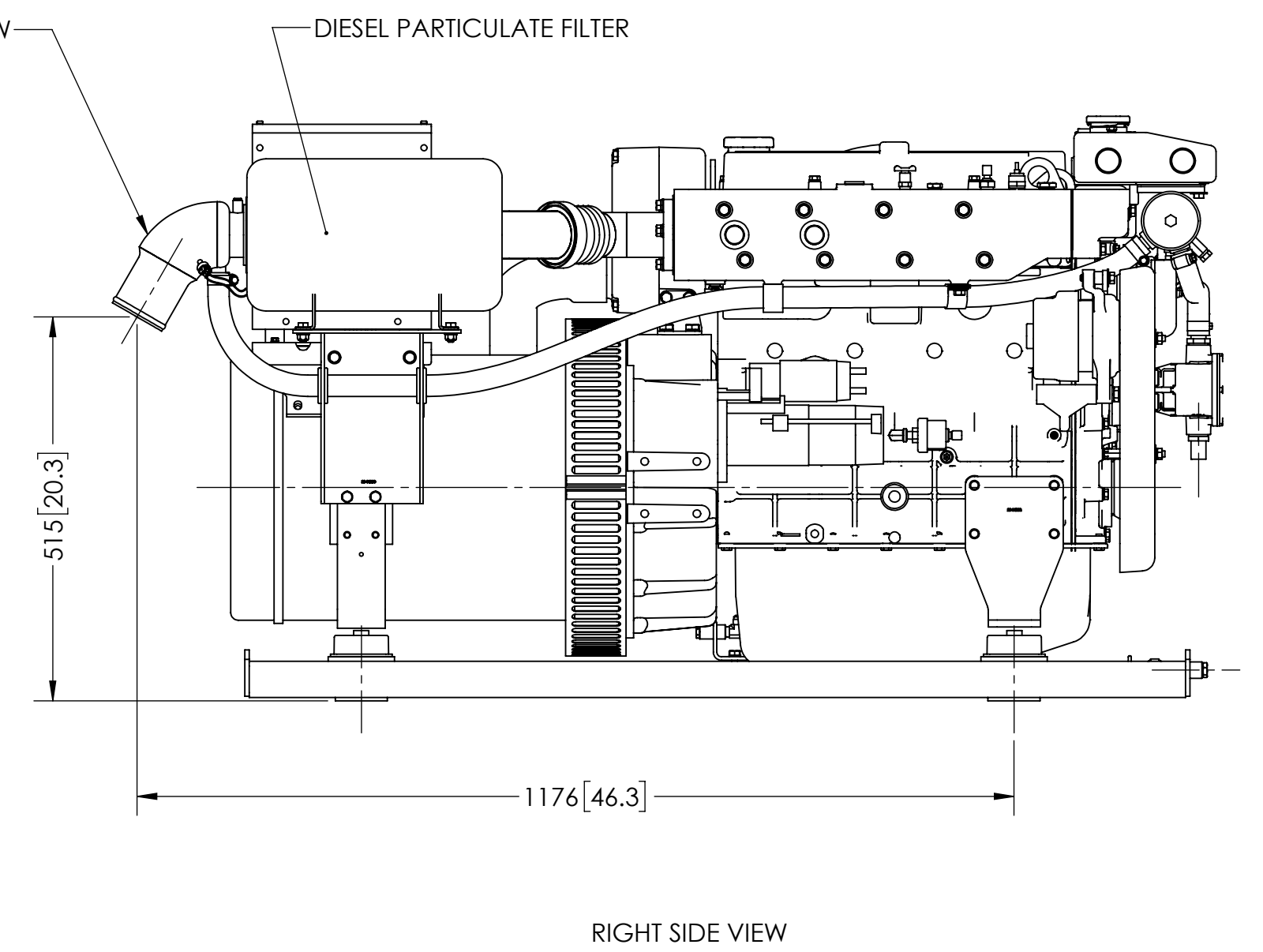


FRONT VIEW

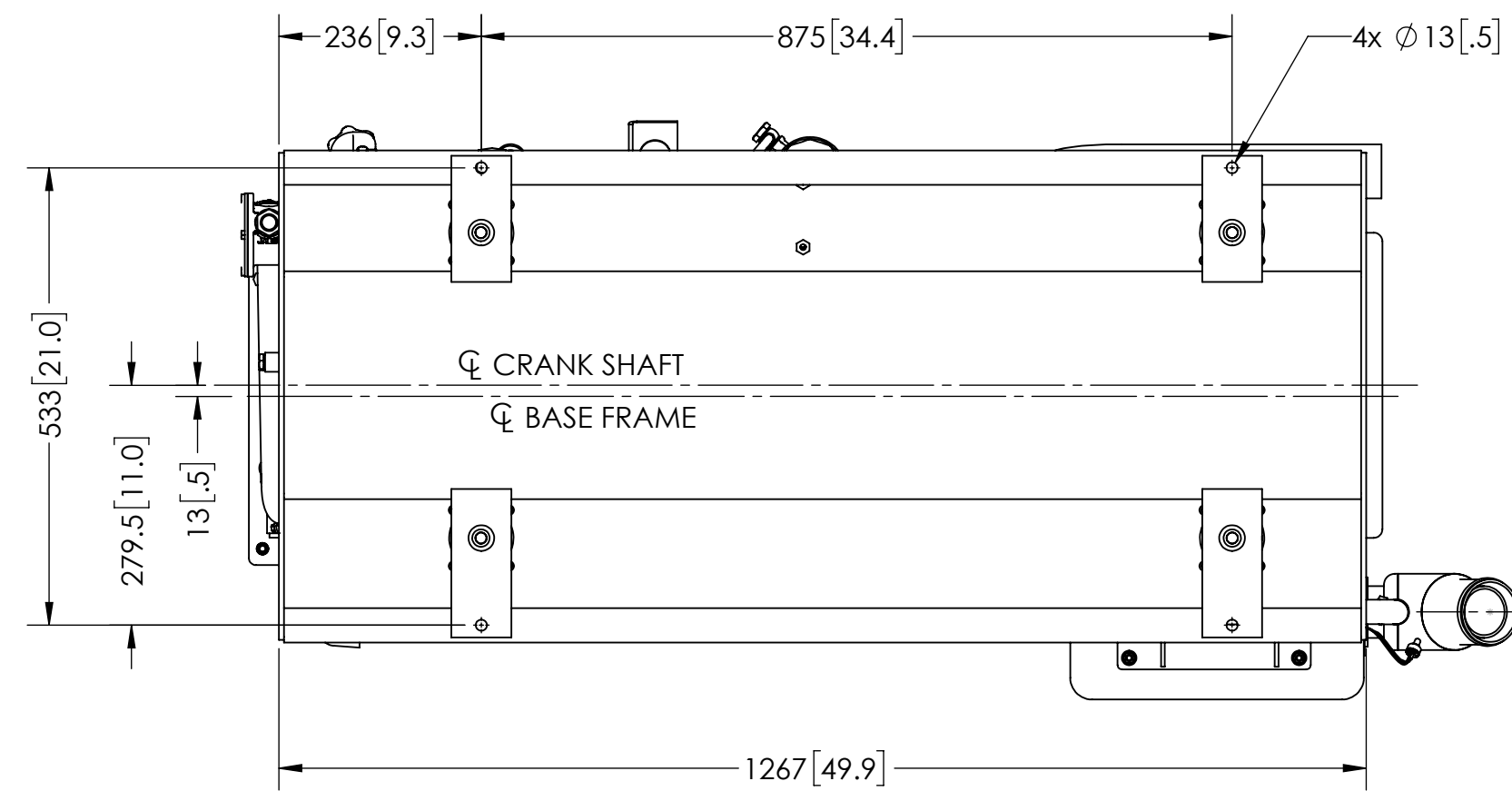
LEFT SIDE (SERVICE) VIEW



REAR VIEW

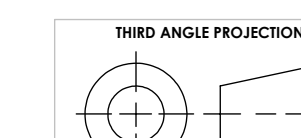


RIGHT SIDE VIEW



BOTTOM VIEW

APPLIES TO MODELS	
M944W3FG.1	
M944W3FG.2	
M944W3FG.3	
M944W3FG.4	



PROPRIETARY AND CONFIDENTIAL  
THE INFORMATION CONTAINED IN THIS DRAWING IS THE SOLE PROPERTY OF NORTHERN LIGHTS. ANY REPRODUCTION IN PART OR AS A WHOLE WITHOUT THE WRITTEN PERMISSION OF NORTHERN LIGHTS IS PROHIBITED.

UNLESS OTHERWISE SPECIFIED:		NAME	DATE
DIMENSIONS ARE IN MILLIMETERS		DRWN	LTP 10/9/2020
TOLERANCES:		CHECKED	
ANGULAR: MACH ± 0.5° BEND ± 1.0°		ENG APPR.	
.X ± 0.3		MEG APPR.	
.XX ± 0.3		G.A.	
INTERPRET GEOMETRIC TOLERANCING PER: ASME Y14.5M		COMMENTS:	
MATERIAL:			
FINISH:			
DO NOT SCALE			



TITLE: INSTALLATION DIMENSIONS M944W3FG HEAT EXCHANGED			
SIZE	PART NO.	DWG. NO.	REV
D	SEE TABLE	D-5283	
SCALE: 1:8	WEIGHT: 603 KG [1329 lbs]	SHEET 1 OF 1	