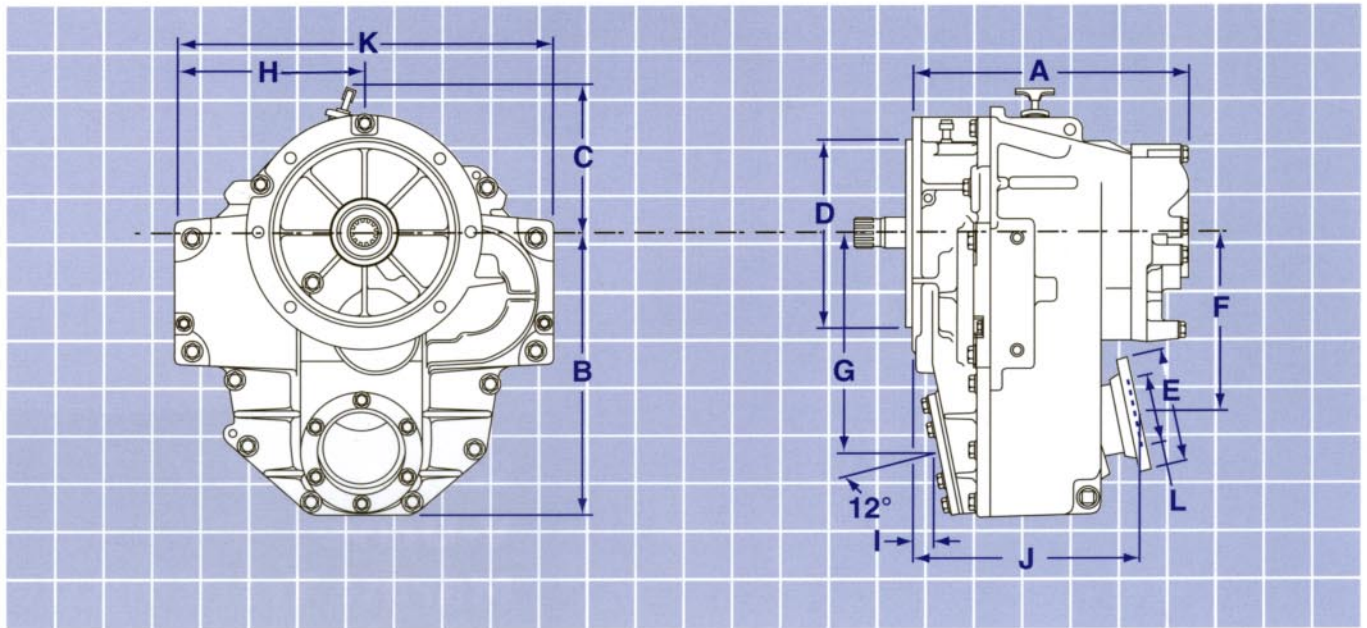


Specifications

The Velvet Drive Marine Series 5000V is the latest member of the Velvet Drive transmission family. The Series 5000V is designed specifically for v-drive applications. Its fully reversing feature allows for a twin-engine layout using “automotive” rotating engines, while the 12 degree down angle between the input and output shafts allows the desired system installation. The coupling flange, located on the opposite side to the

engine and hollow output shaft, provides position and ease of propeller shaft alignment. The compact design and aluminum case provide a lighter and considerably shorter package than the 70 Series v-drive. The improved hydraulic system, with reduced parasitic losses, offers more power to the propeller. The Series 5000V has the same engine adaptation features as the 70 Series and Series 5000 down angle.



Dimensions Inches (millimeters)

A	B	C	D	E	F	G	H	I	J	K	L
12.10 (307)	12.40 (316)	6.37 (161.8)	8.25 (209.55)	5.00 (127)	7.90 (200)	9.80 (248)	8.23 (209)	1.10 (28)	10.0 (254)	16.46 (418)	2.50 (63.50)

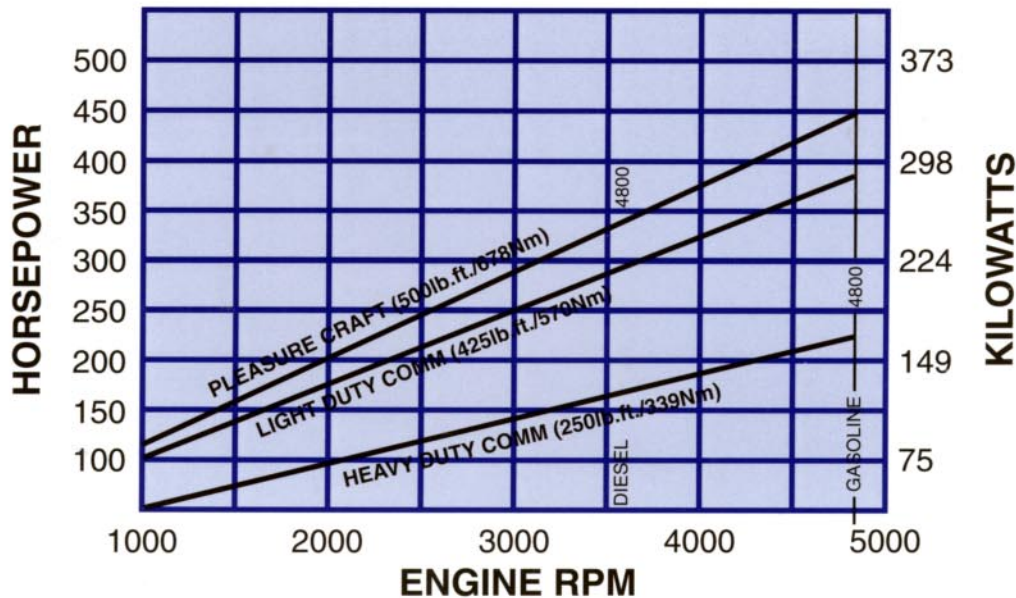
General Information (subject to change without notice)

Available Ratios	.1.25, 1.50, 2.00, 2.50:1
Input Shaft Spline Teeth	.26
Input Shaft Rotation	.automotive
Output Shaft Rotation	.either direction
Approximate Dry Weight	.133 lbs. (60.4 kg)

Hollow output shaft to accept 2" (51.0mm) diameter through shaft

Classifications/Ratings

Gasoline and Diesel Engines All Ratios



Service Classifications:

Pleasure craft: Full throttle used approximately 5% of total running time. Typical cruising is at 80% or less of maximum rated engine speed. Engine running time is 400 or less hours per year. Applications in boats designed as pleasure craft and used for commercial use, such as charter boats or party fishing boats, are considered light duty commercial applications.

Light duty commercial: Full throttle used approximately 5% of total running time. Longer running periods with throttle setting at 75% or less of maximum rated engine

speed. Engine running time is up to 1500 hours per year. Light duty commercial applications include sport fisherman boats, party fishing boats, crew boats, search & rescue boats, and patrol boats.

Heavy duty commercial: Full throttle used up to approximately 5% of total running time. Longer running periods up to 80% of maximum rated engine speed. Engine running time is up to 2500 hours per year. Heavy duty applications include towboats, heavy supply boats, ferries, and offshore fishing trawlers.

Important Notes:

System torsionals: System related noises or vibrations can occur at low engine speeds. They can cause gear rattle and result in damage to the boat engine as well as the transmission. Velvet Drive Transmissions, a Division of Regal-Beloit Corporation is not responsible for total system-related torsionals of this type.

Specifications: All specifications and descriptive data shown are nominal and subject to change without notice.

Lubrication: Dexron IIE, Dexron III, or any transmission

fluid which meets Detroit Diesel Allison C-4 specification are recommended for use in all Velvet Drive® transmissions.

Applications: Matching of engine, transmission model, transmission ratio and propeller size is important. The combination must allow the engine to obtain maximum rated engine RPM. Specific applications should be referred to Velvet Drive® transmission distributors for assistance.