



QT™ 20.0

Clean, Green, and Quiet!

*Electric propulsion systems engineered
and built by sailors for sailors since 2007!*

The **QuietTorque™ 20.0** is recommended for boats up to 42' (LOA) and 22,000lbs displacement. Typically replaces diesel engines in the 25hp to 40hp range. Typical battery size is 300 - 500Ah.

Specifications

Motor type	PMAC* Brushless
Voltage	48Vdc (36-65Vdc)
Max Input Power	20 kW
Cont. Input Power	16 kW
Weight	135 lbs (62 kg)
Frame	Anodized Aluminum

*Permanent magnet Alternating Current

Standard Features

Motor Mounts:	Adjustable Mounts to current engine stringers
Throttle: & neutral lock	Anodized Al waterproof throttle with key
System Monitor:	Programmable digital display <ul style="list-style-type: none"> • State of Charge (SOC) • Voltage, Current, Power and RPM • Time to Discharge (TTD) • Programmable regeneration and max power • Programmable RH or LH propeller rotation • Programmable for flooded, AGM and LiFePO4 battery type and size
Shaft coupler:	4" flange (Hurth/Borg Warner)
Power Switch:	Blue Sea two position battery switch
Relay:	500A TE Connectivity vacuum relay
Fuse:	Class-T fuse & holder



The **QT™ 20.0** is complete and includes everything needed except batteries, battery cables and charger. Contact us directly and we will help you design a complete system to meet your needs.

Why Electric Yacht

- UNPARALLED CUSTOMER SERVICE AND ENGINEERING
- Computer generated performance projections
- Three year warranty
- Designed for customer installation

Application Guide:

Where is the QT™ 20.0 most appropriate?

- Monohull sailboats up to 22,000 lbs replacing diesel engines up to 40hp
- Multihull sailboats replacing gas/diesel engines up to 40hp
- Launches and other displacement mode power boats up to 11,000 lbs
- Installations often use portable generator to extend range
- Sailboats for weekend sailing and occasional coastal cruising trips

Ordering Options:



Standard throttle and monitor control (+\$0 USD) is appropriate in most cases. The exposed metal parts are made of Stainless steel and Al for long life in a marine environment. The unit incorporates a neutral lock to prevent accidental operation. Designed to provide many years of dependable operation.



The optional larger monitor (+\$250 USD) is an easy to read programable monitor screen that is twice the size as the standard monitor. It has an expanded second screen with motor data presented in a clear and easy to read format.

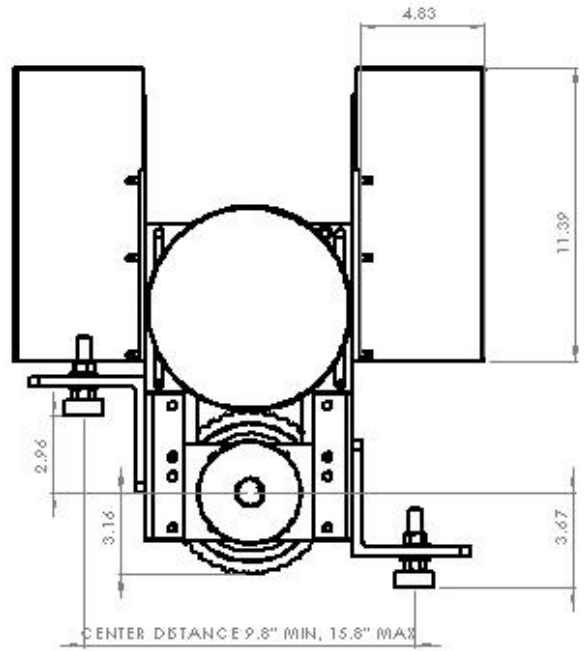
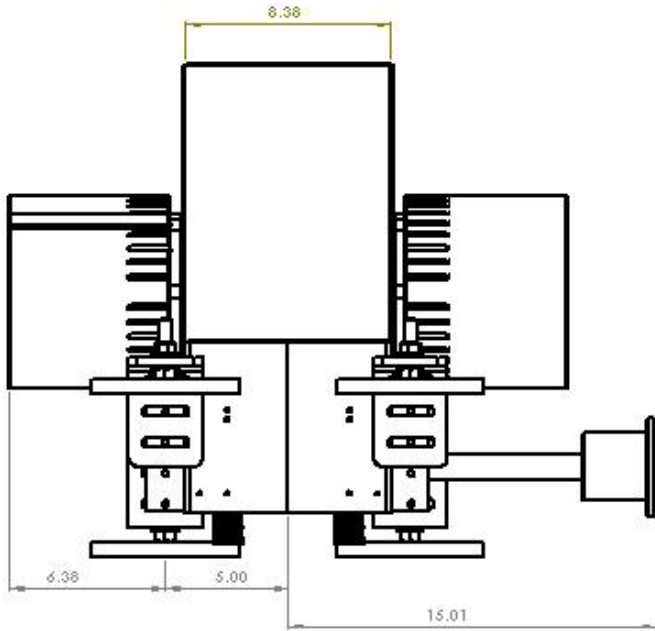


The optional Binnacle Mount (+\$295 USD) is appropriate for boats with wheel steering. It is designed to attach to the 1" grab rail that surrounds most binnacles. It can also attach directly to a binnacle post if no rail is present. It is supplied with longer 20' cables and is ready to install on your binnacle.

The optional Current Sensor (+\$195 USD) is recommended when a generator and/or solar is used to extend range. The current sensor measures charging current and will give correct State of Charge (SOC) and Time to Discharge (TTD) readings by capturing the power being generated. It is installed between the output of the generator (or generator powered battery charger) and the battery. While not necessary for occasional usage, it is recommended for use with portable generators.



QT20.0 Dimension Data



NOTE: ADJUSTABLE MOUNTING FEET
CAN ACCOMMODATE SHAFT CENTERLINE
ABOVE OR BELOW MOUNTING SURFACE

