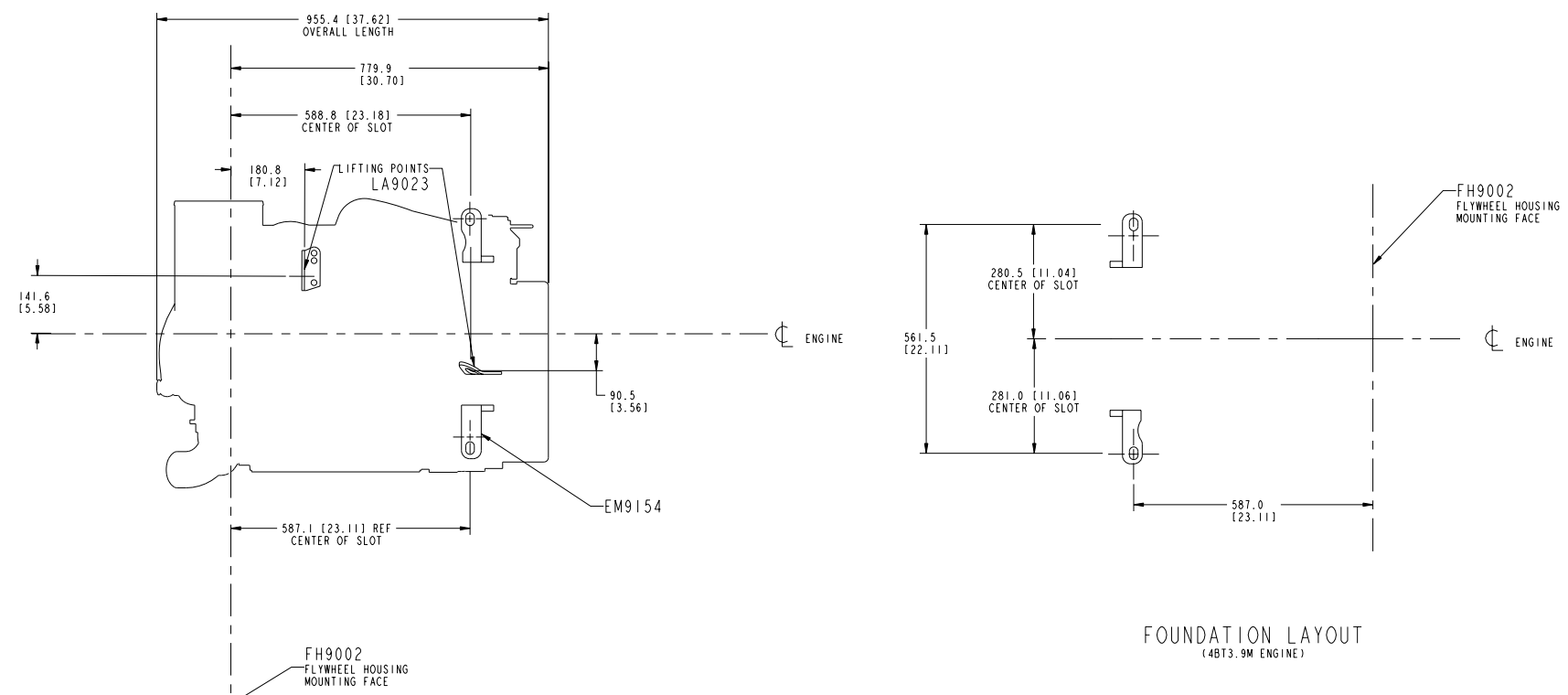


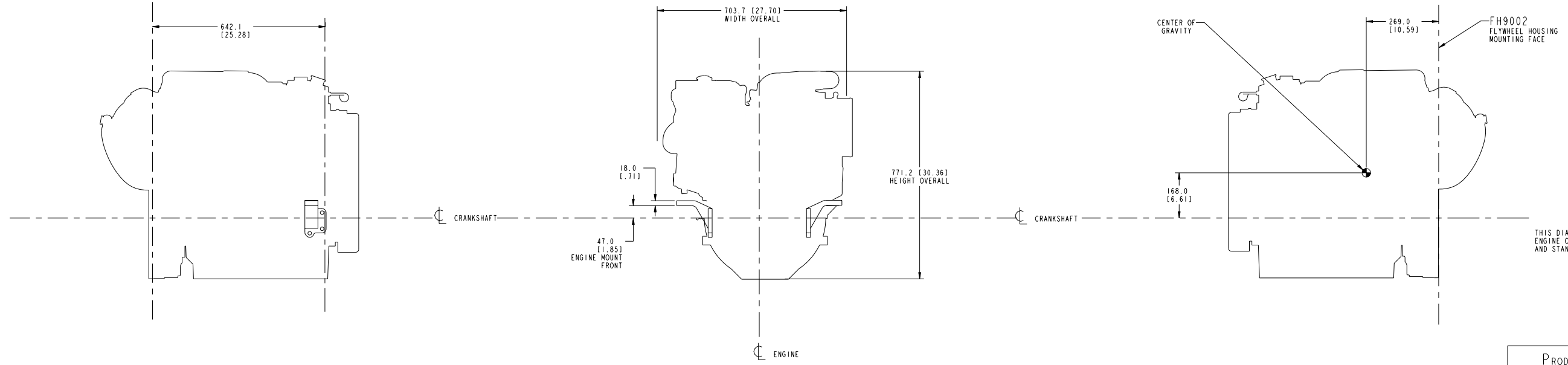
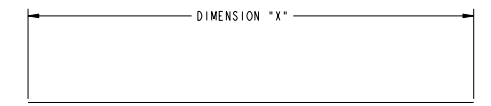
ITEM NUMBER
3884676

REVISIONS			
ZONE	REV	DESCRIPTION	APP'D



TO DETERMINE THE SCALE AT WHICH THE DRAWING WAS PLOTTED, MEASURE THE LENGTH OF THE LINE "X", AND COMPARE TO THE CHART BELOW. IF DESIRED, YOU MAY THEN ENLARGE OR REDUCE, BY USE OF PHOTOCOPIER, TO THE OTHER SCALES TO SUIT YOUR NEEDS.

LINE "X" LENGTH	CURRENT SCALE
1000mm	FULL
250mm	1:4
200mm	1:5
125mm	1:8
100mm	1:10
85mm	1:12
62mm	1:16
50mm	1:20
42mm	1:24



THIS DIAGRAM IS BASED ON ENGINE CONFIGURATION D382013MX02 AND STANDARD PRICE SPEC NO. 989

PRODUCT GRAPHICS FILE
NO ORIGINAL DRAWING EXISTS FOR THIS ITEM. THE ENGINEERING GRAPHICS DATA FOR THIS ITEM RESIDES IN THE PRODUCT GRAPHICS FILE AND IS CONTROLLED BY THE AGENCY DESIGNATED AS HAVING ITEM CONTROL.

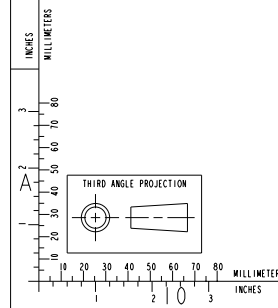
METRIC

DO NOT SCALE THIS DRAWING

PRELIMINARY UNCHECKED

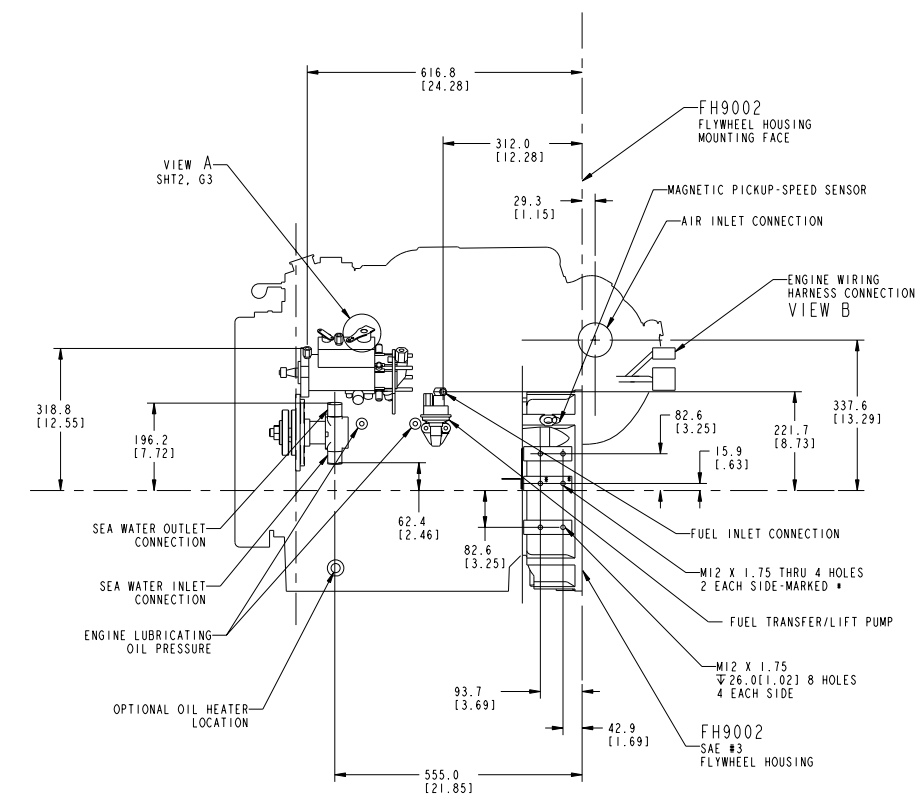
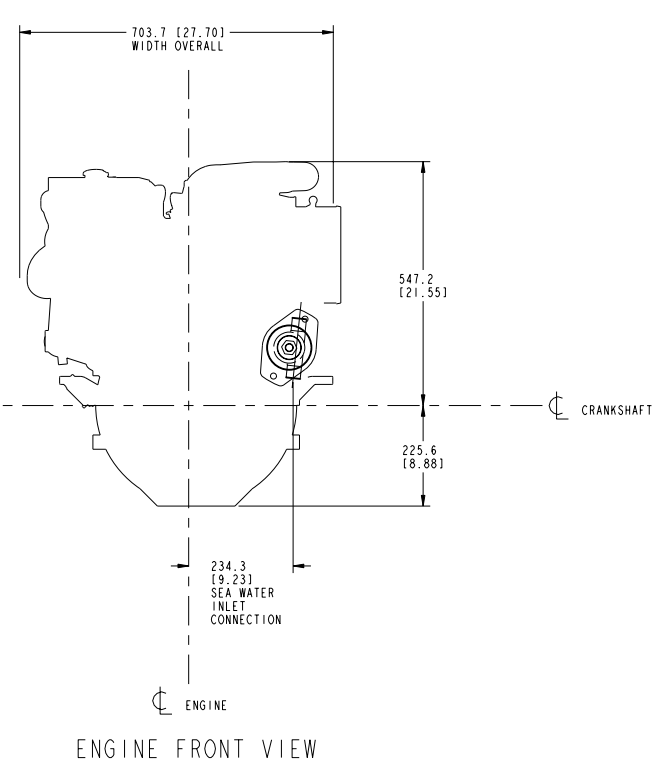
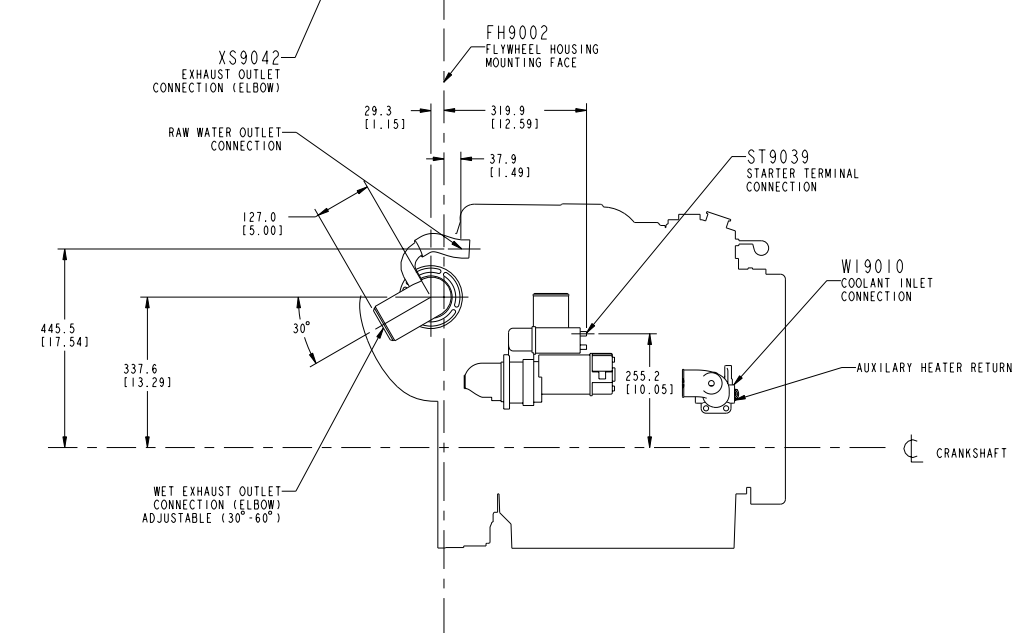
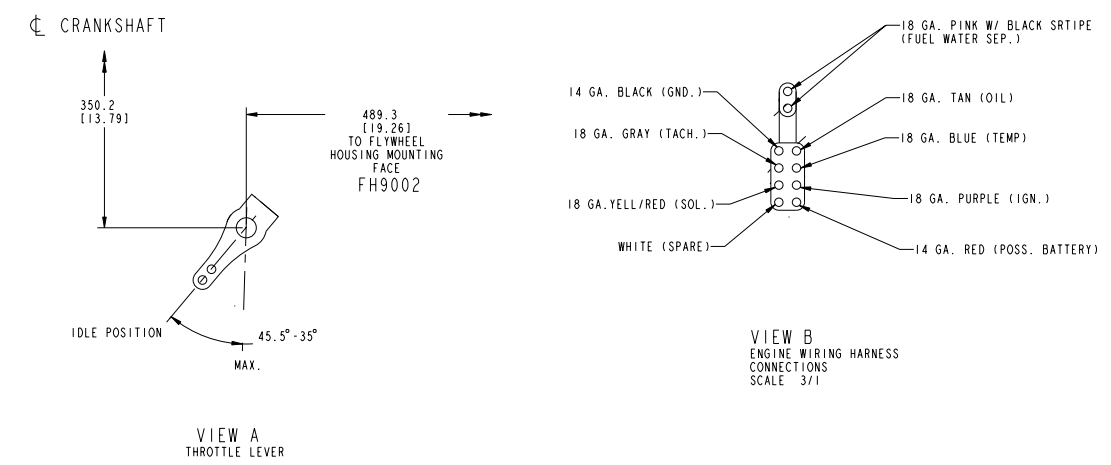
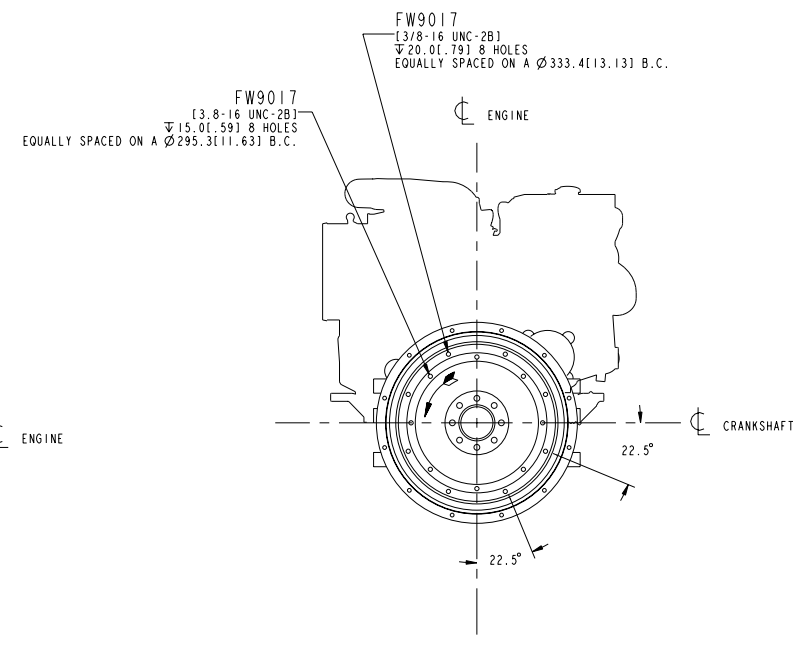
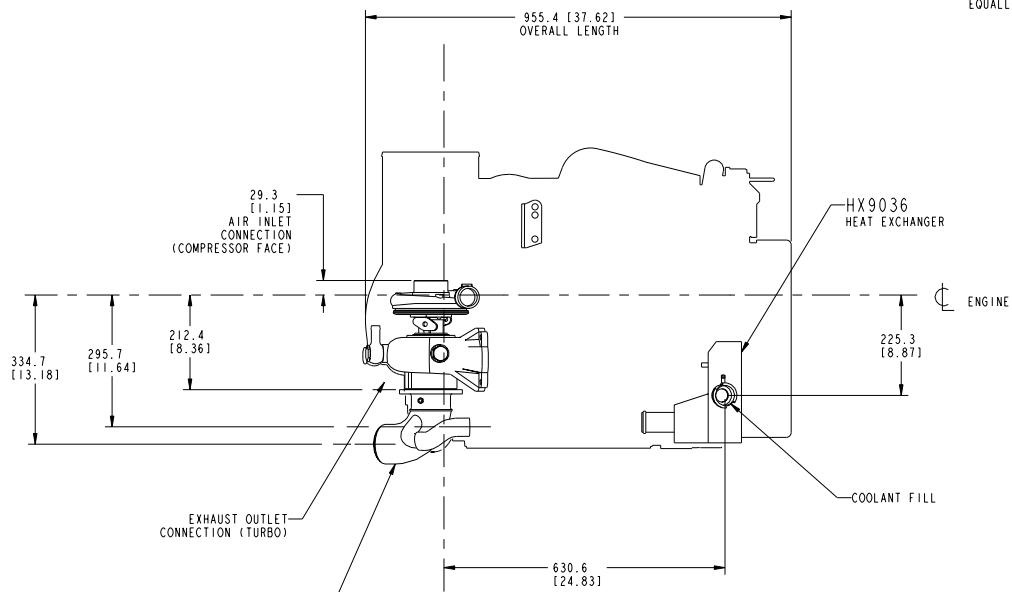
THIS DRAWING/DATA FILE (AND THE INFORMATION SHOWN THEREON) IS CONFIDENTIAL AND PROPRIETARY AND SHALL NOT BE USED, DISCLOSED TO OTHERS, OR REPRODUCED BY ANY MEANS FOR ANY PURPOSE IN HARD COPY FORM OR IN MACHINE READABLE FILES, WITHOUT WRITTEN CONSENT OF CUMMINS ENGINE COMPANY, INC., MARKETING CAD SERVICES DEPARTMENT.

LAST SECTION LETTER USED:	REF. DRAWING STANDARDS: ANSI Y14.5M ISO 81101	CUMMINS ENGINE COMPANY, INC.
UNLESS OTHERWISE SPECIFIED DIMENSIONS ARE IN: MILLIMETERS () ARE IN: INCHES	ITEM NAME: 4BT3.9M (150, 150, 130HP)	IDENTIFIER: INSTALLATION DIAGRAM
DWN: CHD	CDY: B. FAULKNER	SIZE: J
APPD: APPD	COOLING SYSTEM: COOLED	ITEM NUMBER: 3884676
	SCALE: 1:5	ITEM CONTROL: SHEET 1 OF 3



ITEM NUMBER
3884676

REVISIONS		APP'D
ZONE	REV	DESCRIPTION



ENGINE INSTALLATION CONNECTIONS	
AIR CLEANER CONNECTION: \varnothing 76.2 [3.00]	MAGNETIC PICKUP SPEED SENSOR: [3/4-16 UNF-2B]
AUXILIARY WEATHER SUPPLY	MARINE GEAR COOLER INLET: INLET AND OUTLET: [1/2-14 NPTF]
AUXILIARY HEATER RETURN: [1/2-14 NPTF]	OIL PRESSURE: 2X [1/8-27 NPTF]
EXHAUST OUTLET CONNECTION (TURBO): \varnothing 63.0 [2.48] ID	SEAWATER INLET: \varnothing 50.8 [2.00] OD ROTATABLE
EXHAUST OUTLET CONNECTION (ELBOW): \varnothing 88.9 [3.50] OD	
FRONT ENGINE SUPPORT: 2X 21.0 [0.83] X 31.0 [1.22]	
FUEL DRAIN TO TANK CONNECTION: [3/8-18 NPTF]	
FUEL INLET CONNECTION: [1/2-14 NPTF]	
COOLANT TEMPERATURE: [1/2-14 NPTF]	

PRODUCT GRAPHICS FILE
NO ORIGINAL DRAWING EXISTS FOR THIS ITEM. THE ENGINEERING GRAPHICS DATA FOR THIS ITEM RESIDES IN THE PRODUCT GRAPHICS FILE AND IS CONTROLLED BY THE AGENCY DESIGNATED AS HAVING ITEM CONTROL.

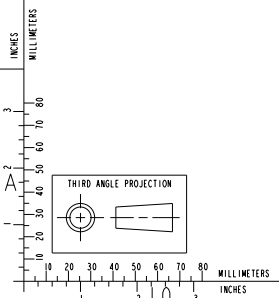
METRIC

DO NOT SCALE THIS DRAWING

PRELIMINARY UNCHECKED

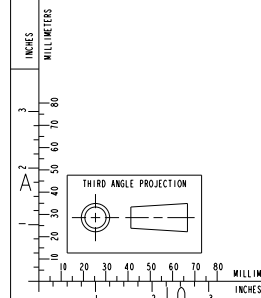
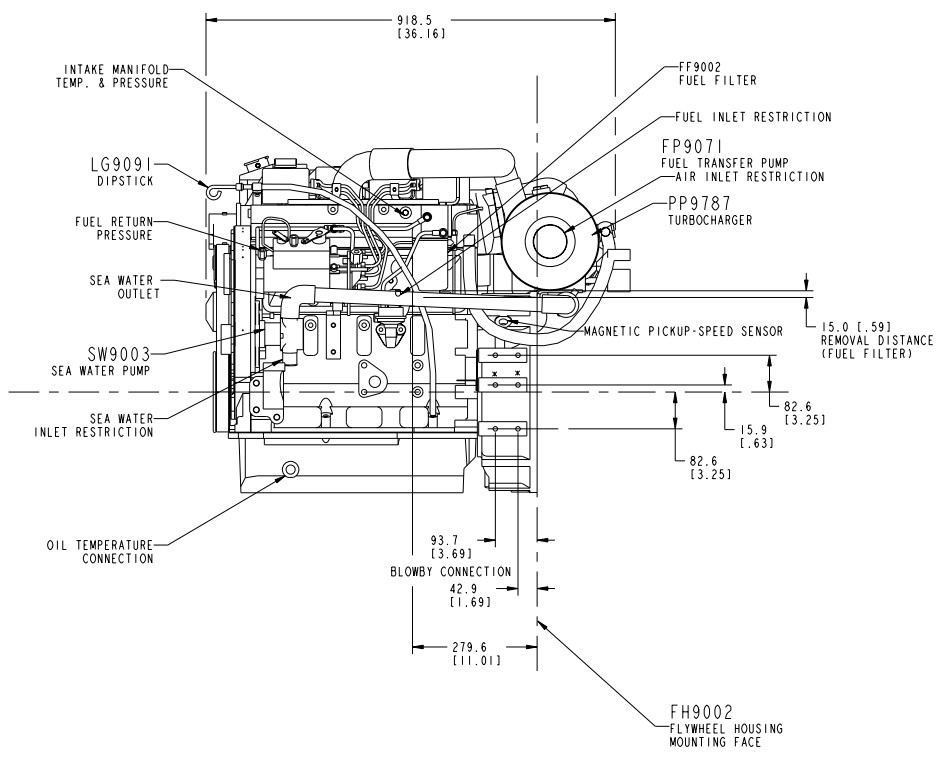
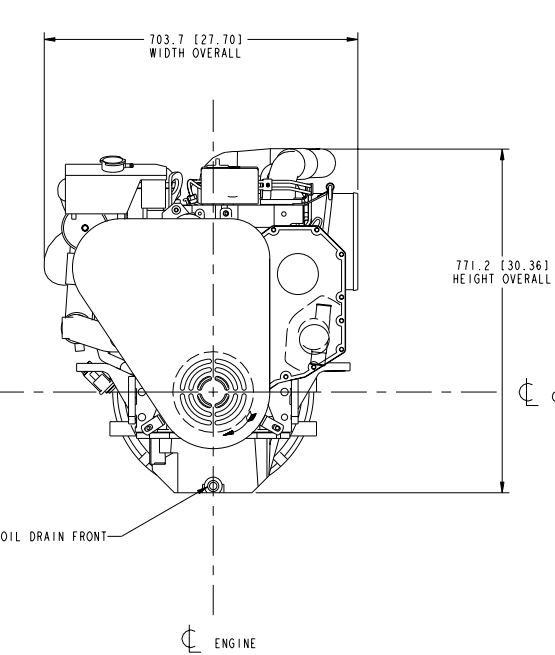
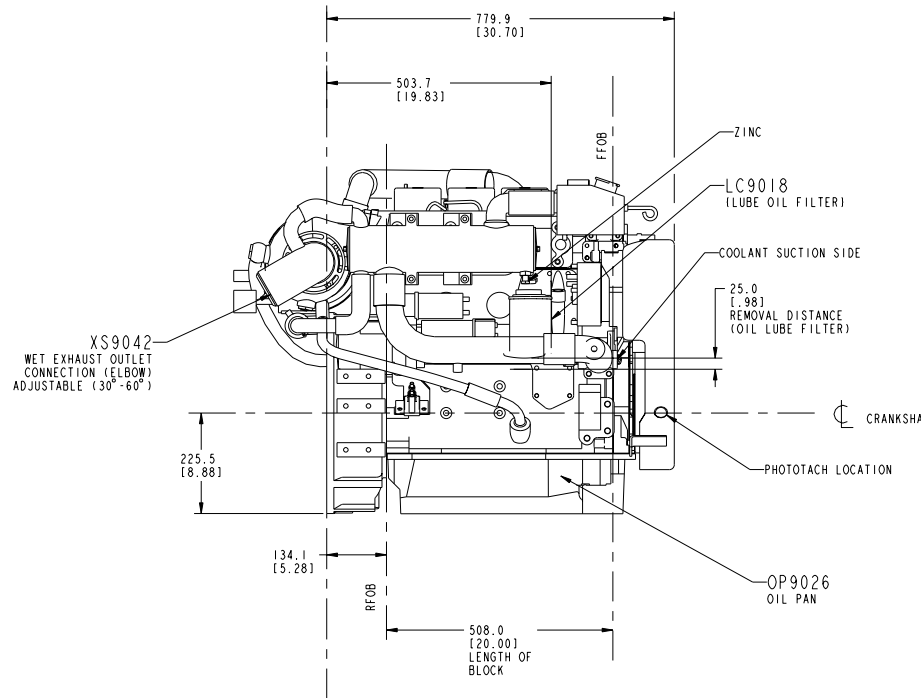
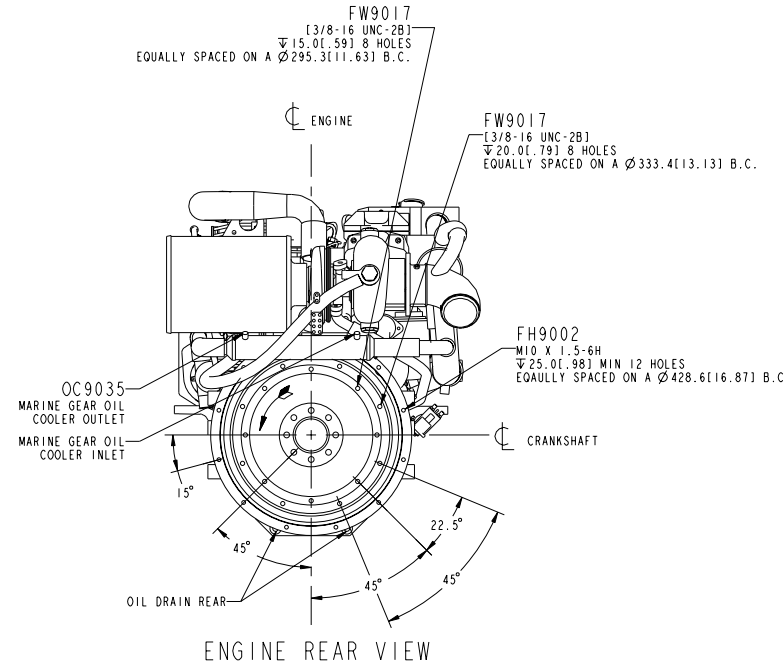
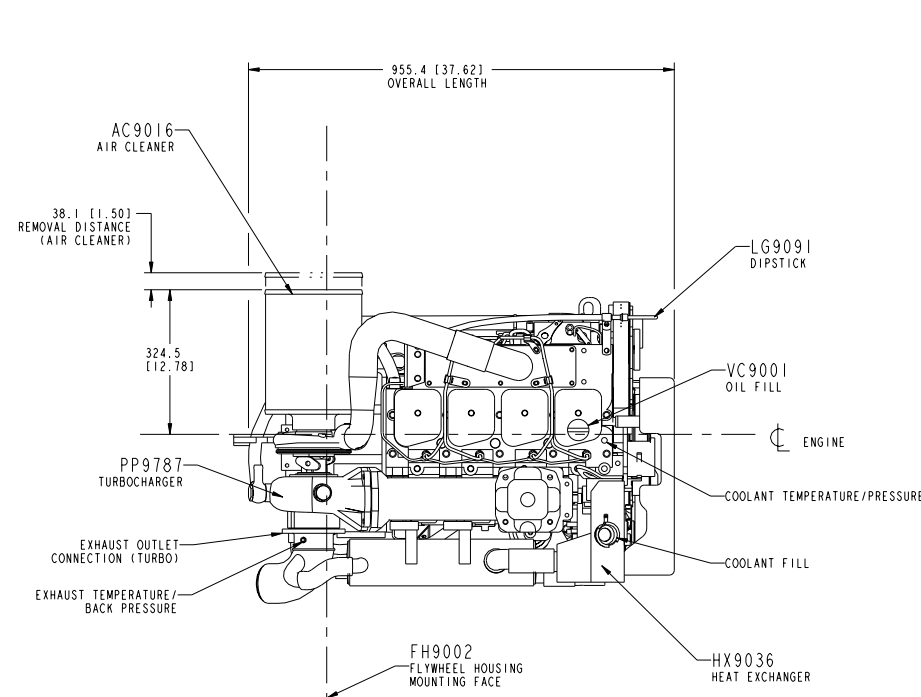
THIS DRAWING/DATA FILE (AND THE INFORMATION SHOWN THEREON) IS CONFIDENTIAL AND PROPRIETARY AND SHALL NOT BE USED, DISCLOSED TO OTHERS, OR REPRODUCED BY ANY MEANS FOR ANY PURPOSE IN HARD COPY FORM OR IN MACHINE READABLE FILES, WITHOUT WRITTEN CONSENT OF CUMMINS ENGINE COMPANY, INC., MARKETING CAD SERVICES DEPARTMENT.

LAST SECTION LETTER USED:	REF. DRAWING STANDARDS: ANSI Y14.5M ISO 81101	CUMMINS ENGINE COMPANY, INC.
UNLESS OTHERWISE SPECIFIED DIMENSIONS ARE IN: MILLIMETERS () ARE IN: INCHES	ITEM NAME: 4BT3.9M (155, 150, 130HP)	IDENTIFIER
DWN: CHD BY: B. FAULKNER 12/2/11	SIZE: COOLING SYSTEM	ITEM NUMBER: 3884676
APPD: CHD	HEAT EXCHANGER COOLING	SCALE: 1:5
APPD: CHD	ITEM CONTROL:	SHEET 2 OF 3



ITEM NUMBER
3884676

REVISIONS			
ZONE	REV	DESCRIPTION	APP'D



ENGINE SERVICE DIAGNOSTIC/MONITORING TEST PORTS		
AIR INLET RESTRICTION: \varnothing 76.2 [3.00] ID	FUEL RETURN PRESSURE: [1/2-20 UNF-2A]	SEAWATER OUTLET PRESSURE: [1/4-18 NPTF]
BLOWBY CONNECTION: \varnothing 15.8E[0.62] ID HOSE	INTAKE MANIFOLD TEMPERATURE: [1/2-14 NPTF]	
BOOST PRESSURE: 2X [1/8 NPTF]	INTAKE MANIFOLD PRESSURE: [1/2-14 NPTF]	
BOOST TEMPERATURE: [1/8 NPTF]	MAGNETIC PICKUP-SPEED SENSOR: [3/4-16 UNF-2B]	
COOLANT SUCTION SIDE: [3/4-14 NPTF]	OIL PRESSURE: 2X [1/8-27 NPTF S2]	
COOLANT PRESSURE SIDE: [1/2-14 NPTF]	OIL DRAIN FRONT: M18 X 1.50-6H	
COOLANT TEMPERATURE: [1/2-14 NPTF]	OIL DRAIN REAR: 2 X [9/16-18 UNF-2B]	
EXHAUST TEMPERATURE/BACK PRESSURE: [1/8-27 NPTF S2]	PHOTOTACH LOCATION	
FUEL INLET RESTRICTION: [1/4-18 NPTF]	SEAWATER INLET RESTRICTOR: [1/4-18 NPTF]	

PRELIMINARY UNCHECKED

METRIC

DO NOT SCALE THIS DRAWING
THIS DRAWING/DATA FILE (AND THE INFORMATION SHOWN THEREON) IS CONFIDENTIAL AND PROPRIETARY AND SHALL NOT BE USED, DISCLOSED TO OTHERS, OR REPRODUCED BY ANY MEANS FOR ANY PURPOSE IN HARD COPY FORM OR IN MACHINE READABLE FILES, WITHOUT WRITTEN CONSENT OF CUMMINS ENGINE COMPANY, INC., MARKETING CAD SERVICES DEPARTMENT.

PRODUCT GRAPHICS FILE
NO ORIGINAL DRAWING EXISTS FOR THIS ITEM. THE ENGINEERING GRAPHICS DATA FOR THIS ITEM RESIDES IN THE PRODUCT GRAPHICS FILE AND IS CONTROLLED BY THE AGENCY DESIGNATED AS HAVING ITEM CONTROL.

LAST SECTION LETTER USED:	REF. DRAWING STANDARDS: ANSI Y14.5M ISO 81101	CUMMINS ENGINE COMPANY, INC.
UNLESS OTHERWISE SPECIFIED DIMENSIONS ARE IN: MILLIMETERS () ARE IN: INCHES	ITEM NAME: 4BT3.9M (155, 150, 130HP)	IDENTIFIER: INSTALLATION DIAGRAM
DWN: CHD	APPD: APPD	SCALE: 1:5
ITEM NUMBER: 3884676	SHEET 3 OF 3	