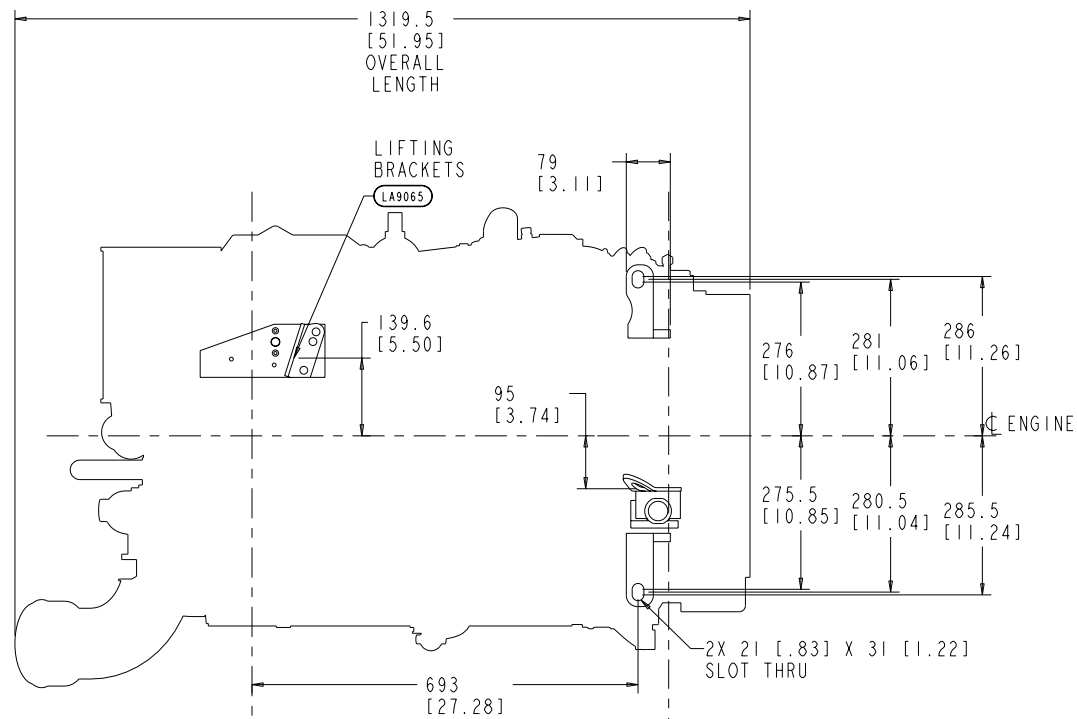


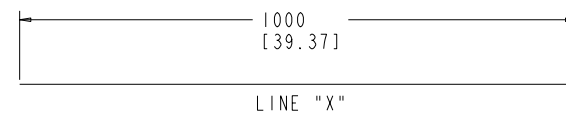
ITEM NUMBER
3170306

REVISIONS			
ZONE	REV	DESCRIPTION	APP'D
00		3170306.DRW	

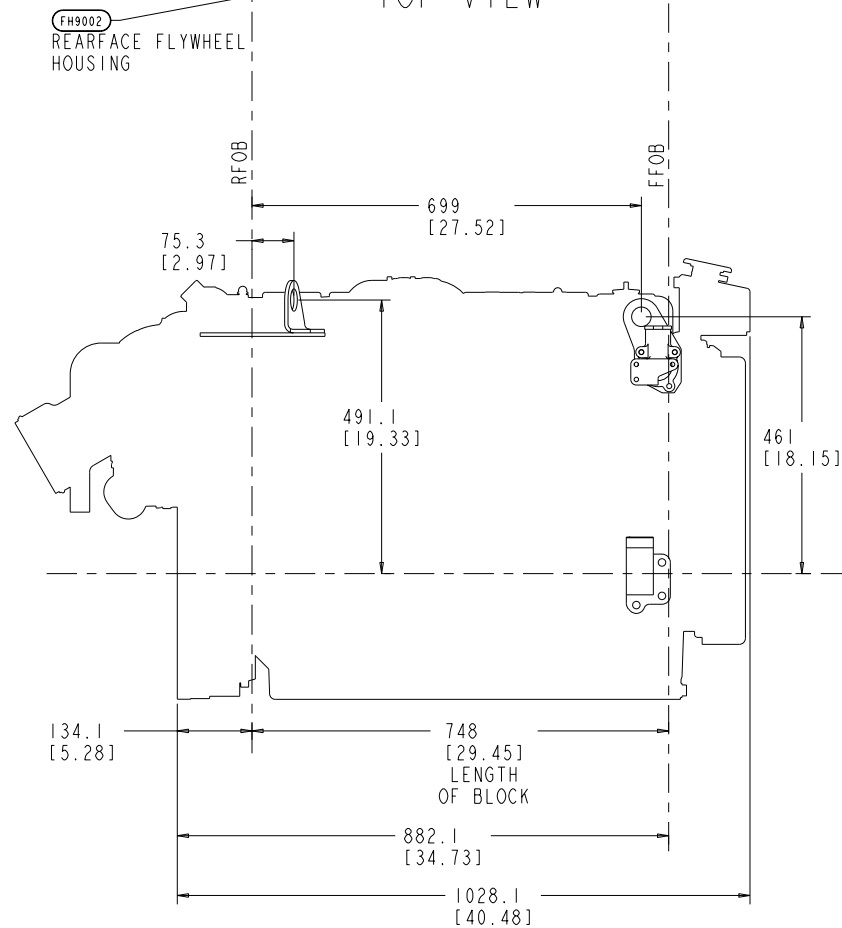


TO DETERMINE THE SCALE AT WHICH THE DRAWING WAS PLOTTED MEASURE THE LENGTH OF LINE "X" AND COMPARE IT TO THE CHART BELOW. IF DESIRED, YOU MAY ENLARGE OR REDUCE, BY THE USE OF A PHOTOCOPIER TO THE SCALE THAT BEST SUITS YOUR NEEDS.

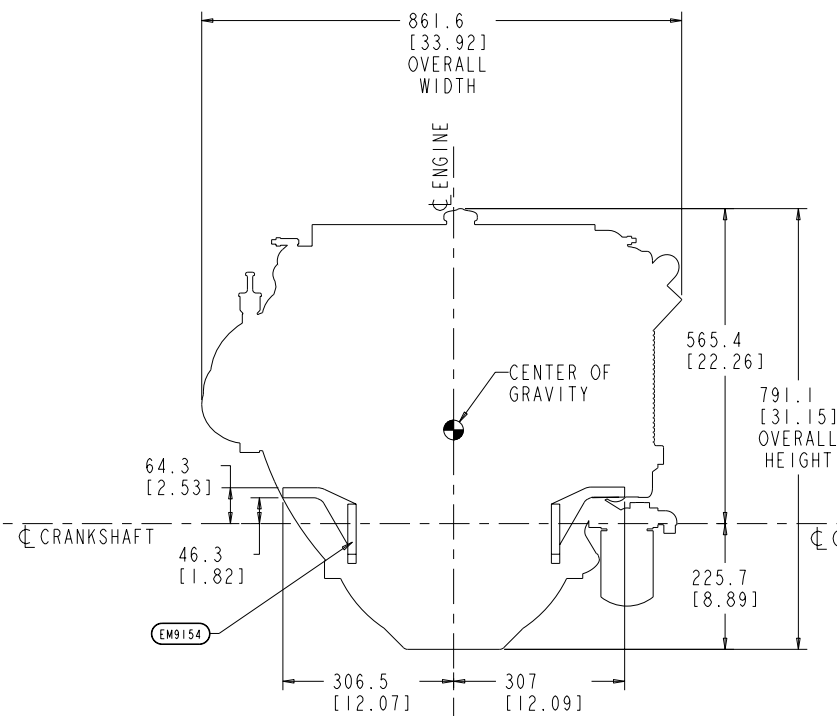
LINE "X" LENGTH	CURRENT SCALE
1000mm	FULL
250mm	1:4
200mm	1:5
125mm	1:8
100mm	1:10
85mm	1:12
62mm	1:16
50mm	1:20
42mm	1:24



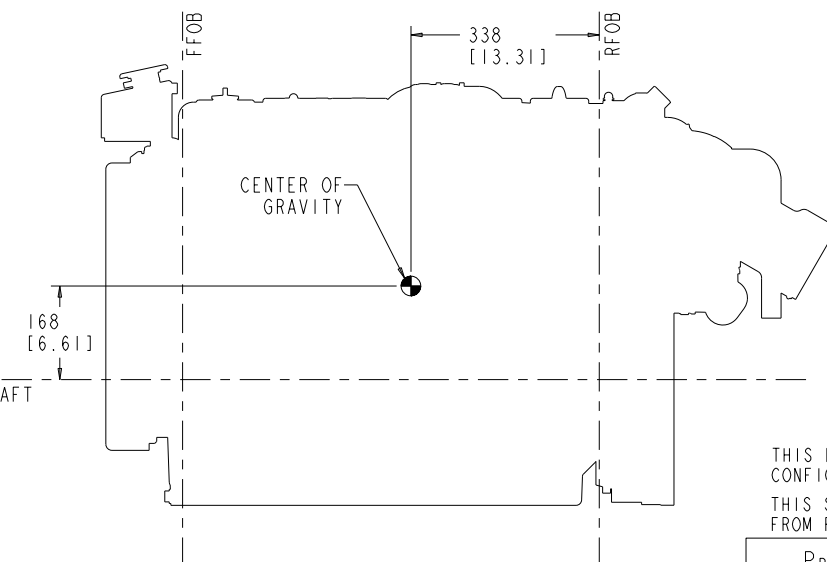
TOP VIEW



STARBOARD VIEW



FRONT VIEW



PORT VIEW

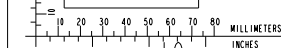
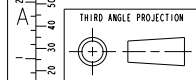
THIS DRAWING IS BASED ON CONFIGURATION D403041MX02
THIS SHEET REPRESENTS OPTIONS FROM PRICE SPEC. # 829

PRODUCT GRAPHICS FILE
NO ORIGINAL DRAWING EXISTS FOR THIS ITEM. THE ENGINEERING GRAPHICS DATA FOR THIS ITEM RESIDES IN THE PRODUCT GRAPHICS FILE AND IS CONTROLLED BY THE AGENCY DESIGNATED AS HAVING ITEM CONTROL.

DO NOT SCALE THIS DRAWING

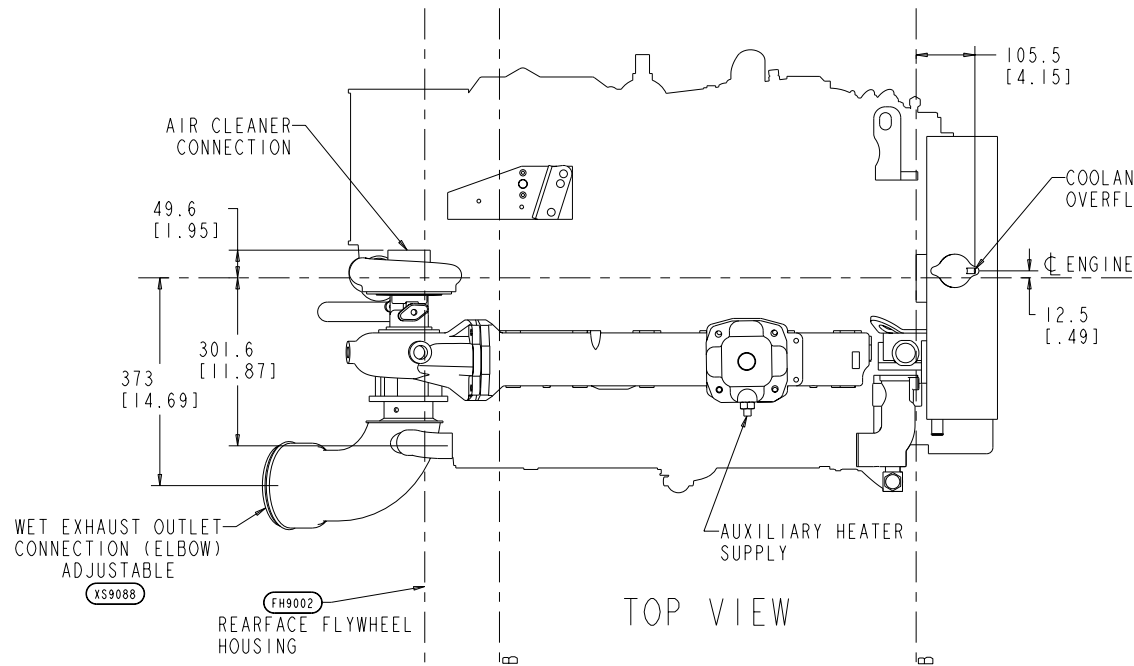
THIS DRAWING/DATA FILE (AND THE INFORMATION SHOWN THEREON) IS CONFIDENTIAL AND PROPRIETARY AND SHALL NOT BE USED, DISCLOSED TO OTHERS, OR REPRODUCED BY ANY MEANS FOR ANY PURPOSE IN HARD COPY FORM OR IN MACHINE READABLE FILES, WITHOUT WRITTEN CONSENT OF CUMMINS INC., MARKETING CAD SERVICES DEPARTMENT.

LAST SECTION LETTER USED: A	REF. DRAWING STANDARDS: ANSI Y14.5M ISO 81101	CUMMINS INC.	
UNLESS OTHERWISE SPECIFIED DIMENSIONS ARE IN: MILLIMETERS () ARE IN: INCHES	ITEM NAME 6BTA5.9M SW 370,330,315,280HP	IDENTIFIER	
DWN: TMO/TGANG HJJ/HW	SIZE CODE (IDENT. NO.)	ITEM NUMBER	
CHD: UNCHECKED	J	3170306	
APPD:	SCALE: 1:14 & NOTES	ITEM CONTROL: MCS	SHEET 1 OF 7

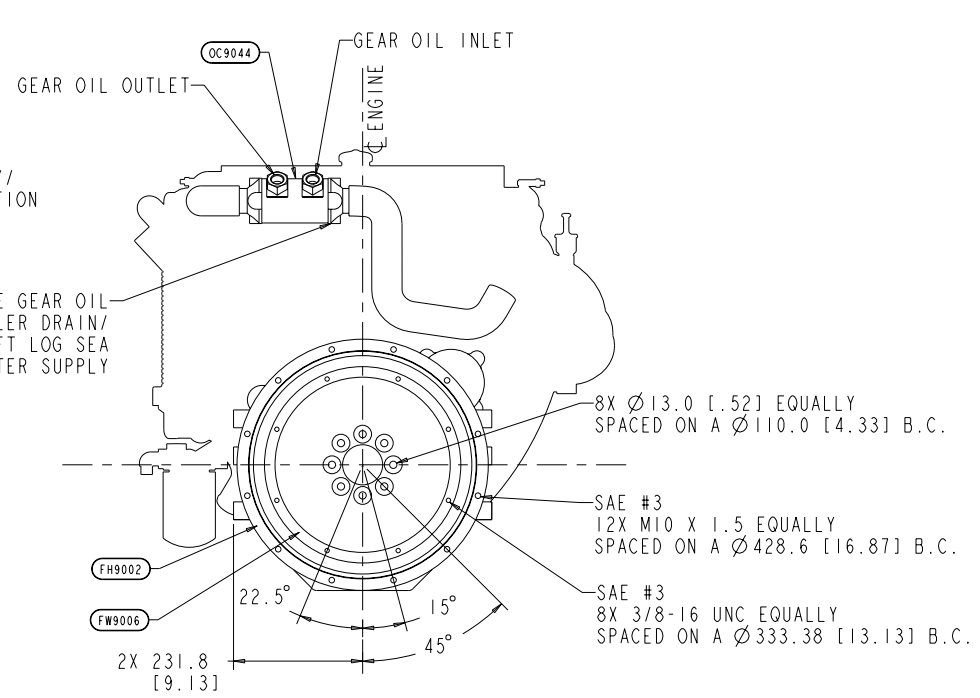


ITEM NUMBER
3170306

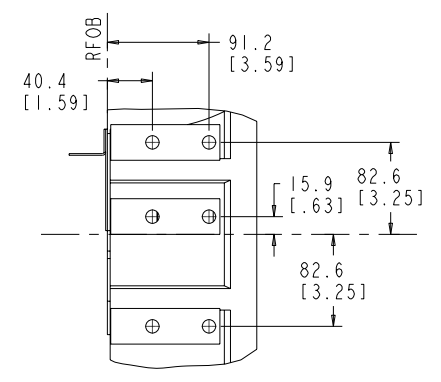
REVISIONS		OWN	APP'D
ZONE REV	DESCRIPTION	DATE	
00	3170306.DRW	8/12/83	



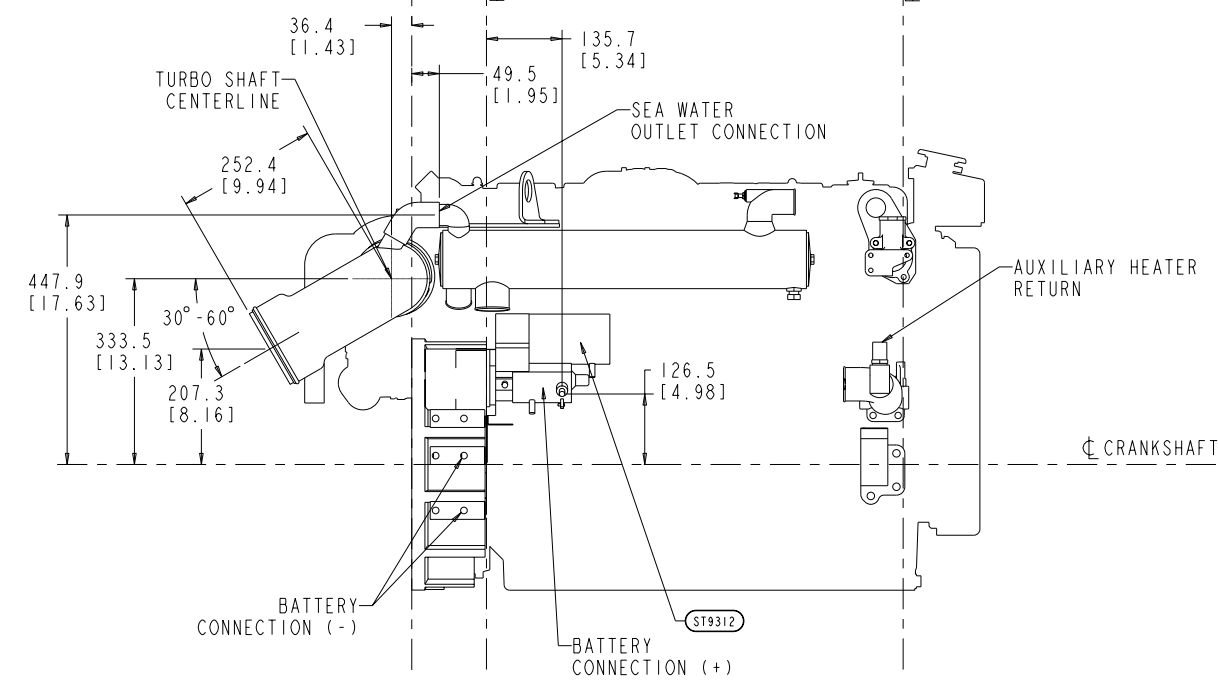
TOP VIEW



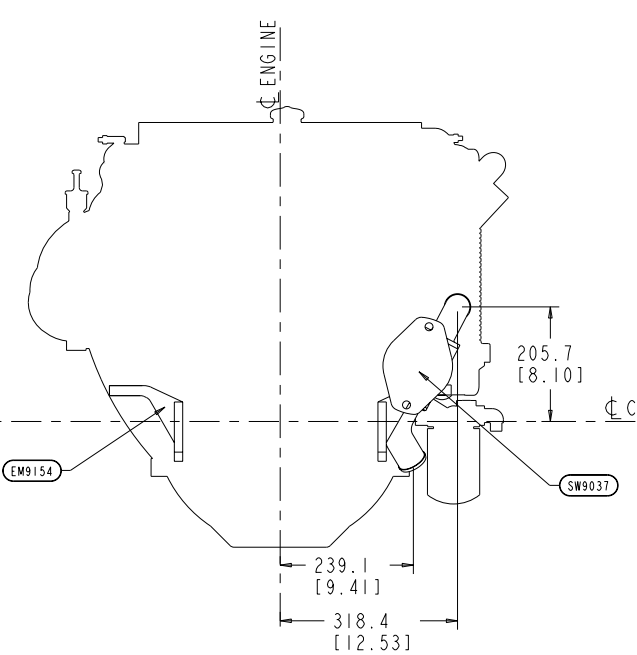
REAR VIEW



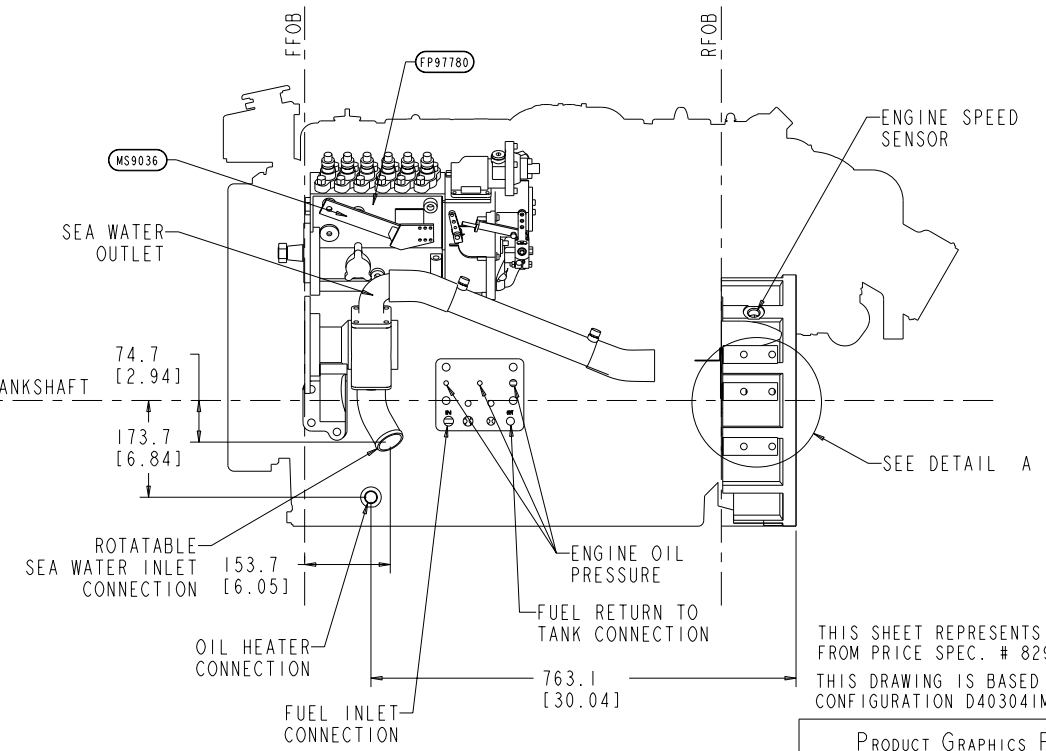
DETAIL A
SCALE 0.500



STARBOARD VIEW



FRONT VIEW



PORT VIEW

THIS SHEET REPRESENTS OPTIONS FROM PRICE SPEC. # 829
THIS DRAWING IS BASED ON CONFIGURATION D403041MX02

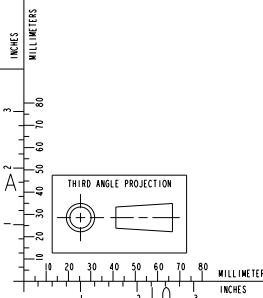
PRODUCT GRAPHICS FILE
NO ORIGINAL DRAWING EXISTS FOR THIS ITEM. THE ENGINEERING GRAPHICS DATA FOR THIS ITEM RESIDES IN THE PRODUCT GRAPHICS FILE AND IS CONTROLLED BY THE AGENCY DESIGNATED AS HAVING ITEM CONTROL.

INSTALLATION CONNECTIONS

AIR CLEANER CONNECTION: 101.6 [4.00]	CRANKCASE VENT: \varnothing 19.1 [0.75] O.D. HOSE	MARINE GEAR OIL COOLER DRAIN: 1/8 NPT
AUXILIARY HEATER RETURN: 1/2 NPT	ENGINE LUBRICATING OIL PRESSURE RIFLE: 1/8 NPT	MARINE GEAR OIL COOLER INLET AND OUTLET: 2X 1/2 NPT
AUXILIARY HEATER SUPPLY: 1/2 NPT W/ ORIFICE	EXHAUST OUTLET CONNECTION (ELBOW): \varnothing 152.4 [6.00] O.D.	OIL HEATER CONNECTION: M22 X 1.5
BATTERY CONNECTION (+): M10 X 1.5	EXHAUST OUTLET CONNECTION (TURBO): \varnothing 66 [2.60] I.D.	SEA WATER INLET: \varnothing 50.8 [2.00] O.D.
BATTERY CONNECTION (-): M12 X 1.75	FRONT ENGINE SUPPORT: 2X 21 [0.83] X 31 [1.22] SLOT	SEA WATER OUTLET: \varnothing 44.5 [1.75] O.D.
COOLANT RECOVERY/OVERFLOW CONNECTION: \varnothing 9.5 [0.38]	FUEL RETURN TO TANK CONNECTION: 3/8 NPT	SHAFT LOG SEA WATER SUPPLY: 1/8 NPT
COOLANT TEMPERATURE: 3/4 NPT	FUEL INLET CONNECTION: 1/2 NPT	

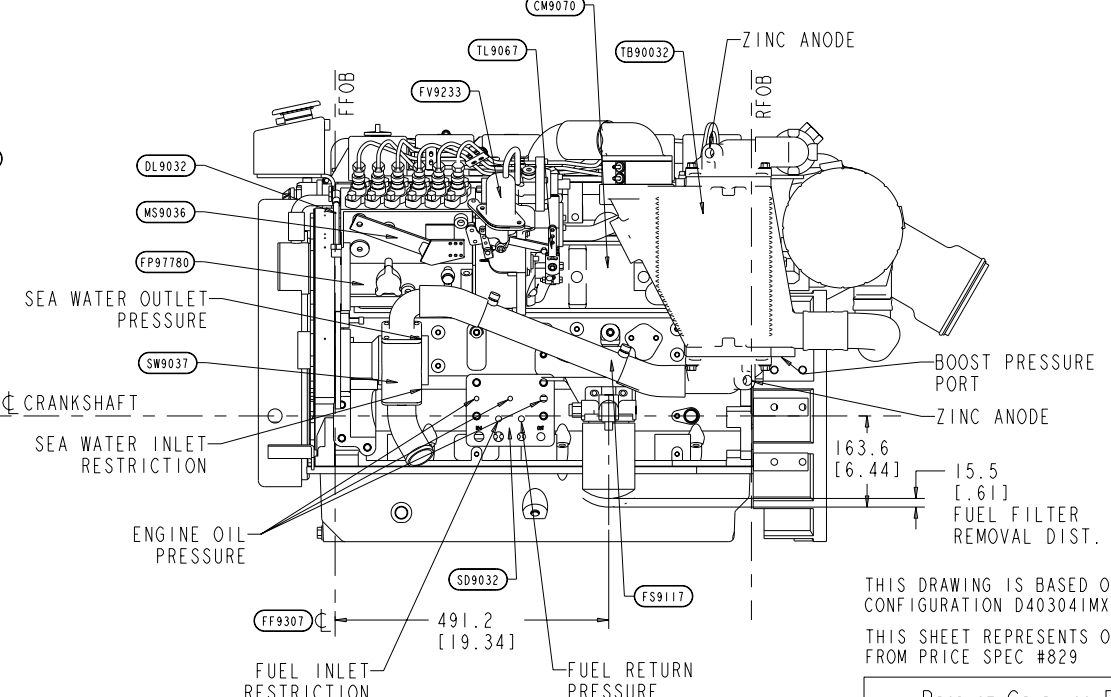
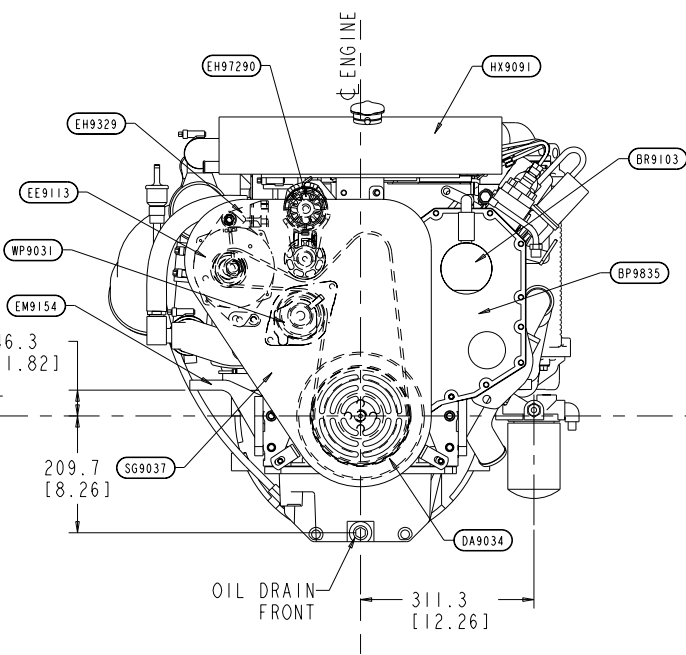
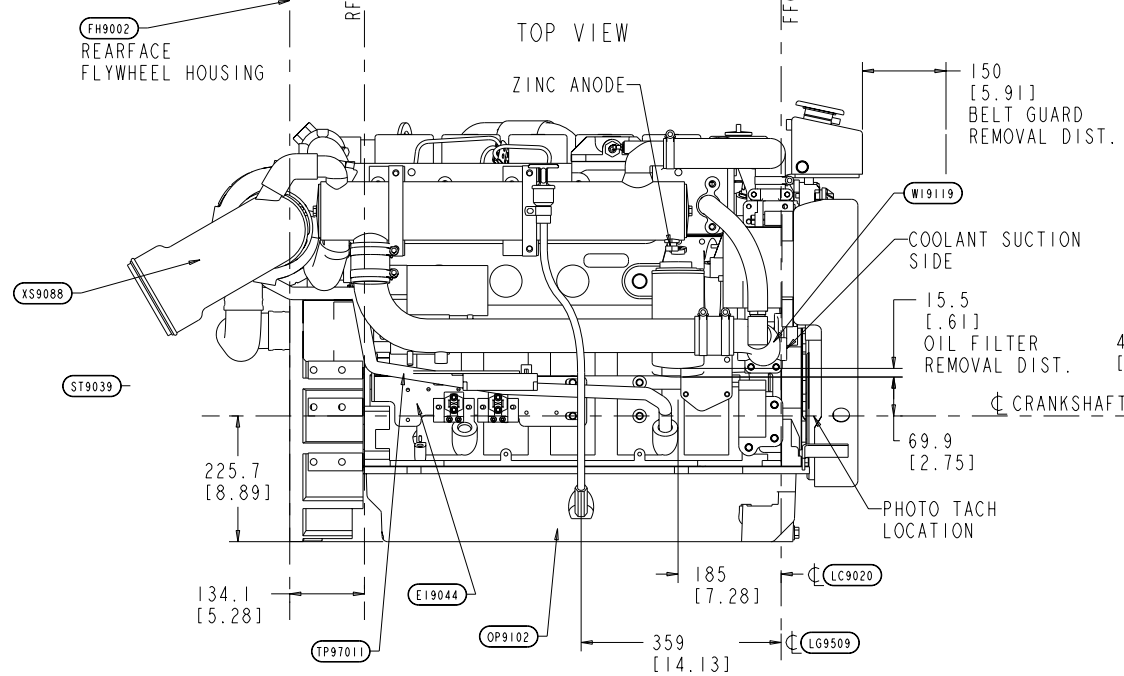
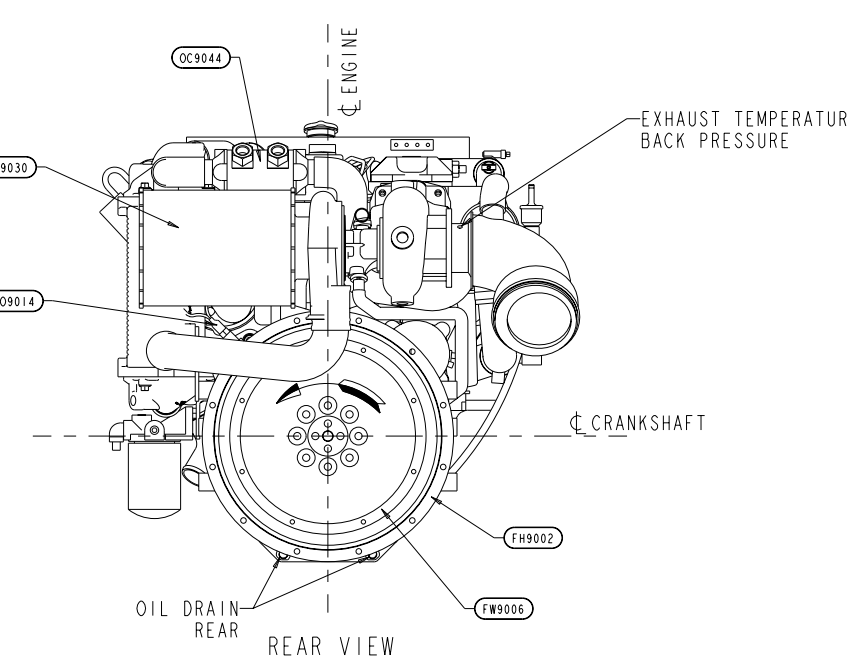
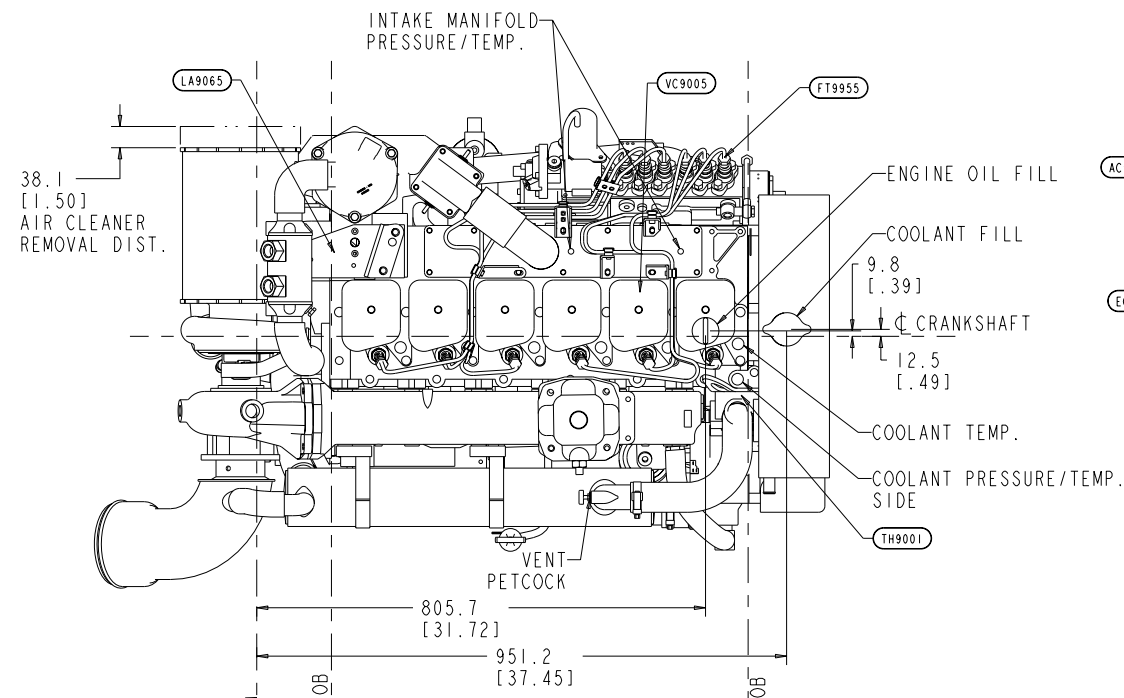
DO NOT SCALE THIS DRAWING
THIS DRAWING/DATA FILE (AND THE INFORMATION SHOWN THEREON) IS CONFIDENTIAL AND PROPRIETARY AND SHALL NOT BE USED, DISCLOSED TO OTHERS, OR REPRODUCED BY ANY MEANS FOR ANY PURPOSE IN HARD COPY FORM OR IN MACHINE READABLE FILES, WITHOUT WRITTEN CONSENT OF CUMMINS INC., MARKETING CAD SERVICES DEPARTMENT.

LAST SECTION LETTER USED: A	REF. DRAWING STANDARDS: ANSI Y14.5M ISO 81101	ITEM NAME CUMMINS INC.
UNLESS OTHERWISE SPECIFIED DIMENSIONS ARE IN: MILLIMETERS () ARE IN: INCHES	IDENTIFIER	ITEM NUMBER 68TA5.9M SW 370,330,315,280HP
DWN: UNCHECKED	SIZE CODE (IDENT. NO.)	ITEM NUMBER 3170306
APPD: UNCHECKED	SCALE: 1:1 & NOTES	ITEM CONTROL: MCS
		SHEET 2 OF 7



ITEM NUMBER
3170306

REVISIONS			
ZONE	REV	DESCRIPTION	APP'D
00		3170306.DRW	



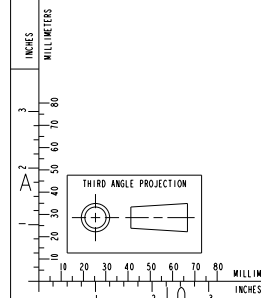
ENGINE SERVICE TEST PORTS		
AIR INLET RESTRICTION: 1/8 NPT (WALKER)	ENGINE OIL DRAIN FRONT: M18 X 1.5	PHOTO TACH LOCATION: C4, C8
BLOW-BY CONNECTION: $\varnothing 19.1$ [0.75] O.D.	ENGINE OIL DRAIN REAR: 9/16 UN	SEA WATER INLET RESTRICTION: 1/4 NPT
COOLANT FILL: F8	ENGINE OIL FILL: $\varnothing 38$ [1.50], F8	SEA WATER OUTLET PRESSURE: 1/4 NPT
COOLANT PRESSURE SIDE: 1/2 NPT	EXHAUST TEMPERATURE/BACK PRESSURE: 1/8 NPT	TURBO BOOST PRESSURE: 1/8 NPT
COOLANT SUCTION SIDE: 3/4 NPT	FUEL INLET RESTRICTION: 1/2 NPT	VENT PETCOCK: 1/8 NPT
COOLANT TEMPERATURE: 1/2 NPT	FUEL RETURN PRESSURE: 3/8 NPT	ZINC ANODE: 3X 1/2 NPT
ENGINE LUBRICATION OIL PRESSURE: 1/8 NPT	INTAKE MANIFOLD PRESSURE/TEMPERATURE: 2X 1/8 NPT	

THIS DRAWING IS BASED ON CONFIGURATION D40304IMX02
THIS SHEET REPRESENTS OPTIONS FROM PRICE SPEC #829

Product Graphics File
NO ORIGINAL DRAWING EXISTS FOR THIS ITEM. THE ENGINEERING GRAPHICS DATA FOR THIS ITEM RESIDES IN THE PRODUCT GRAPHICS FILE AND IS CONTROLLED BY THE AGENCY DESIGNATED AS HAVING ITEM CONTROL.

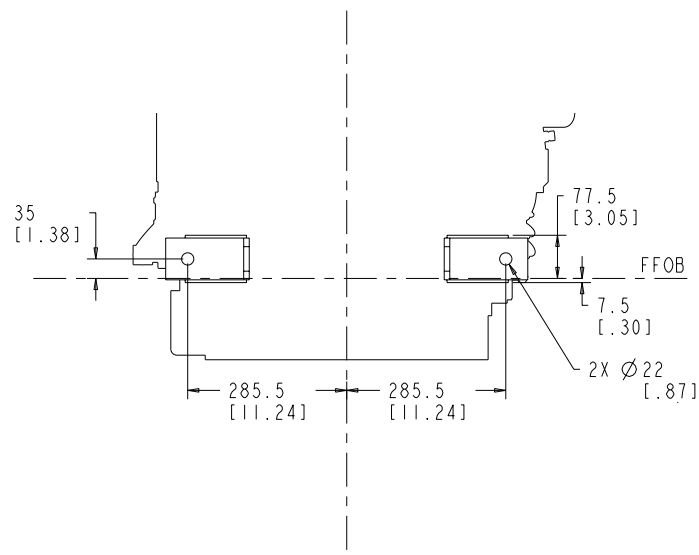
LAST SECTION LETTER USED: A	REF. DRAWING STANDARDS: ANSI Y14.5M ISO 81101	ITEM NAME CUMMINS INC.
UNLESS OTHERWISE SPECIFIED DIMENSIONS ARE IN: MILLIMETERS () ARE IN: INCHES	IDENTIFIER	ITEM NUMBER 68TA5.9M SW 370,330,315,280HP
DWN UNCHECKED	SIZE CODE (IDENT. NO.)	ITEM NUMBER 3170306
APPD UNCHECKED	SCALE: 1:1 & NOTES	ITEM CONTROL: MCS
APPD UNCHECKED		SHEET 3 OF 7

DO NOT SCALE THIS DRAWING
THIS DRAWING/DATA FILE (AND THE INFORMATION SHOWN THEREON) IS CONFIDENTIAL AND PROPRIETARY AND SHALL NOT BE USED, DISCLOSED TO OTHERS, OR REPRODUCED BY ANY MEANS FOR ANY PURPOSE IN HARD COPY FORM OR IN MACHINE READABLE FILES, WITHOUT WRITTEN CONSENT OF CUMMINS INC., MARKETING CAD SERVICES DEPARTMENT.

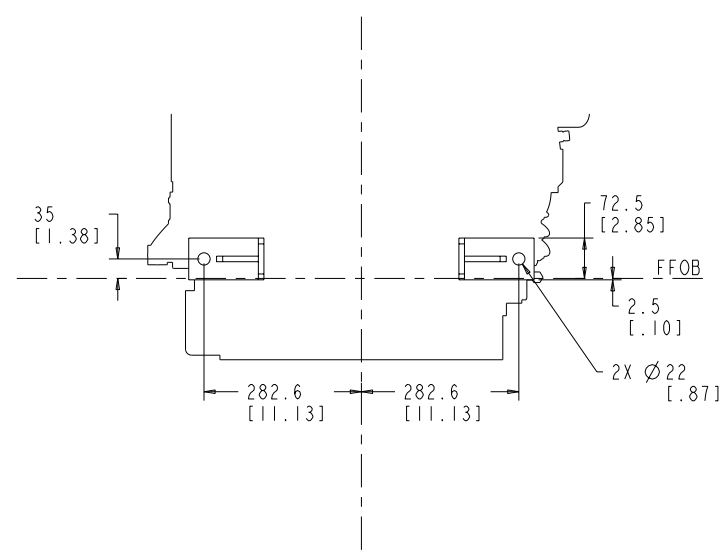


ITEM NUMBER
3170306

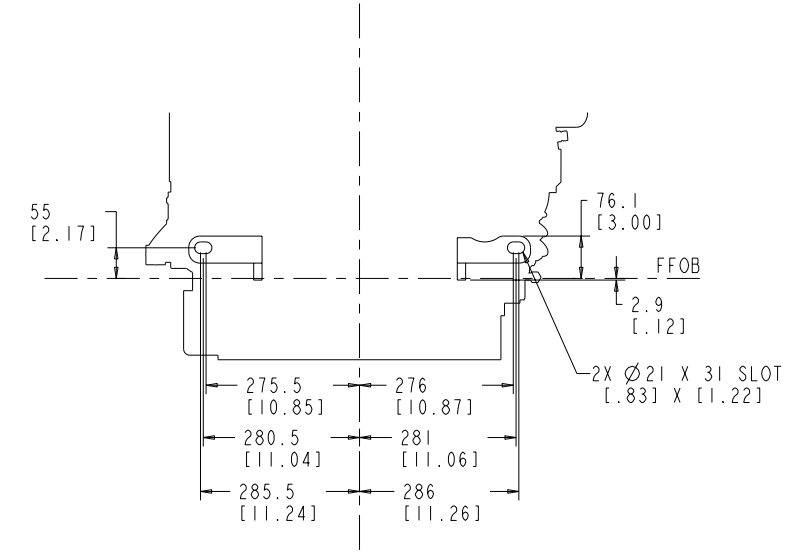
REVISIONS			
ZONE	REV	DESCRIPTION	APP'D
00		3170306.DRW	



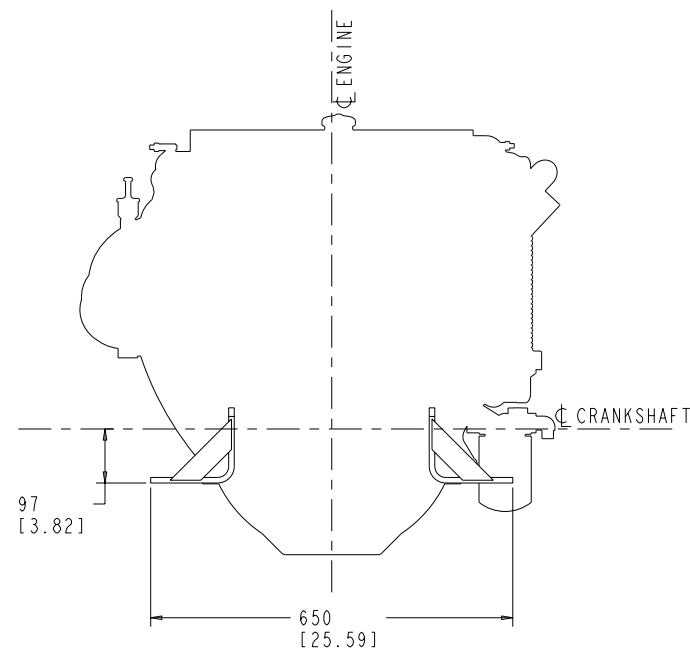
TOP VIEW



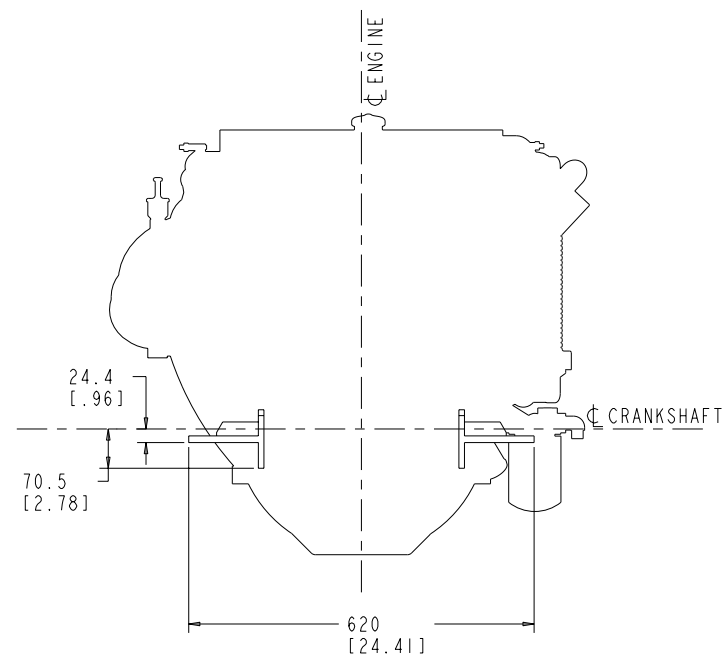
TOP VIEW



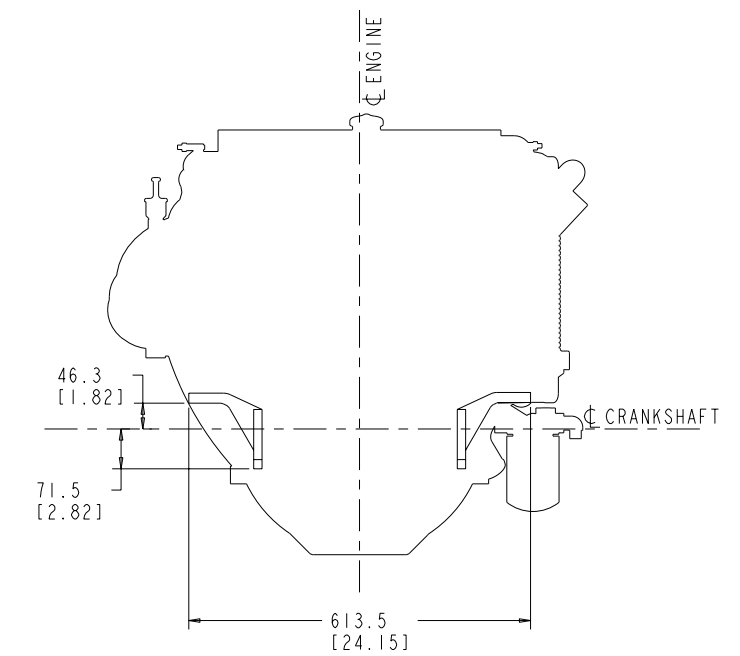
TOP VIEW



FRONT VIEW
EM9045



FRONT VIEW
EM9084



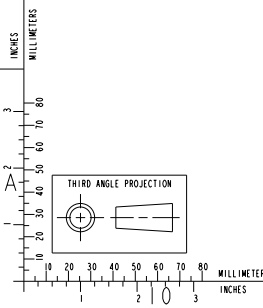
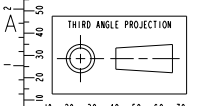
FRONT VIEW
EM9154

PRODUCT GRAPHICS FILE
NO ORIGINAL DRAWING EXISTS FOR THIS ITEM. THE ENGINEERING GRAPHICS DATA FOR THIS ITEM RESIDES IN THE PRODUCT GRAPHICS FILE AND IS CONTROLLED BY THE AGENCY DESIGNATED AS HAVING ITEM CONTROL.

LAST SECTION LETTER USED: A	REF. DRAWING STANDARDS: ANSI Y14.5M ISO 81101	CUMMINS INC.	
UNLESS OTHERWISE SPECIFIED DIMENSIONS ARE IN: MILLIMETERS () ARE IN: INCHES		ITEM NAME 6BTA5.9M SW 370,330,315,280HP	IDENTIFIER
DWN CHD APPD	TWOLGANG UNCHECKED	SIZE CODE (IDENT. NO.) J	ITEM NUMBER 3170306
SCALE: 1:1 & NOTES		ITEM CONTROL: MCS	SHEET 4 OF 7

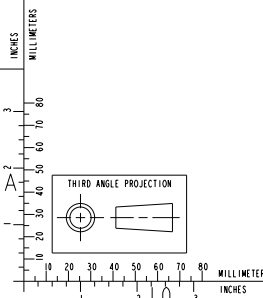
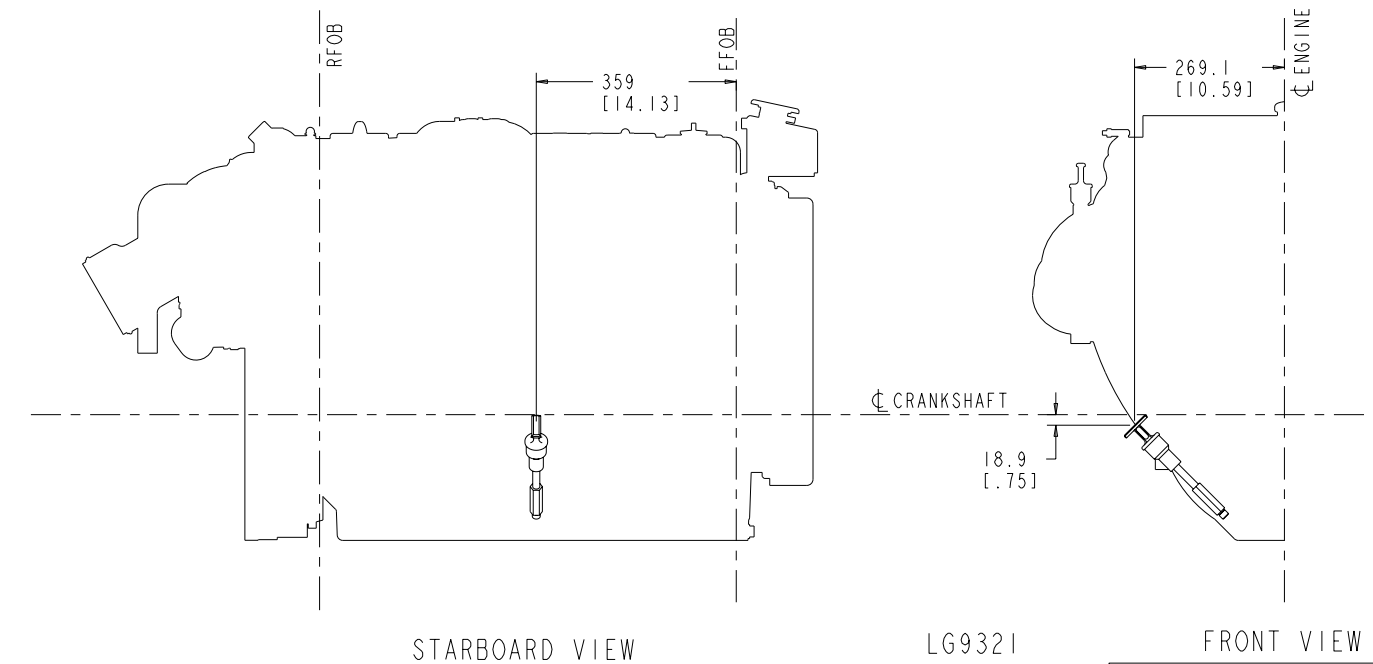
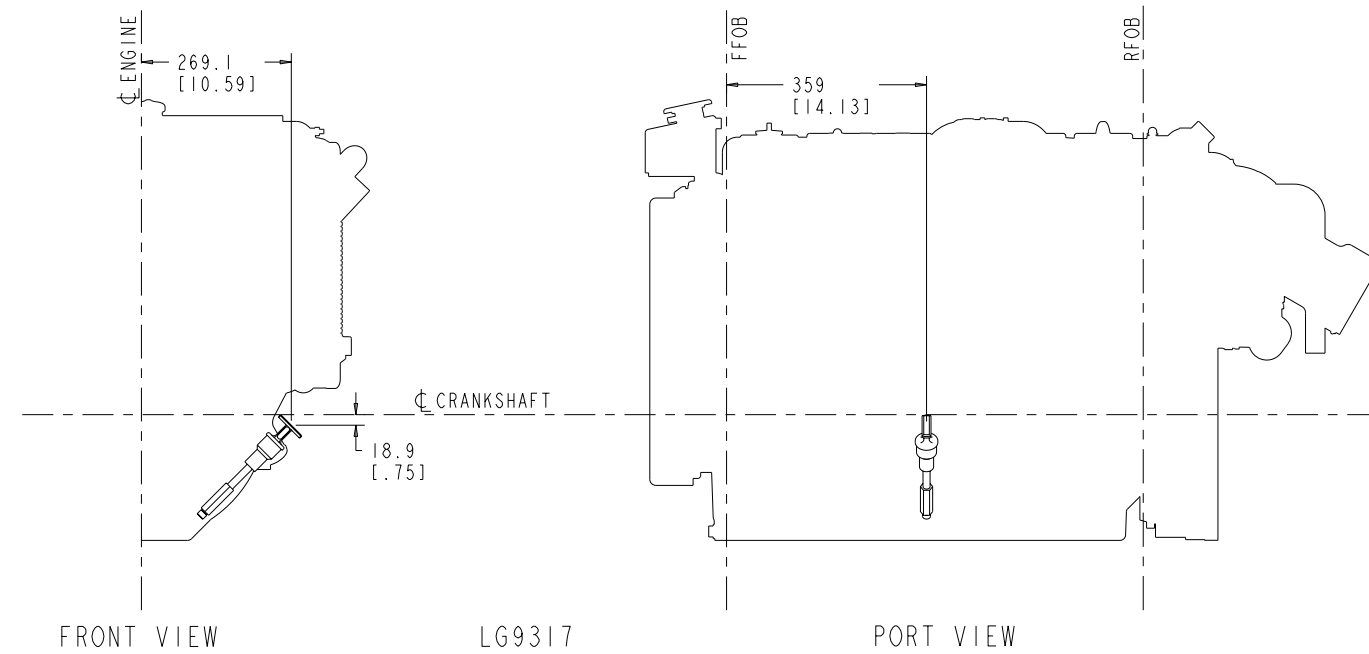
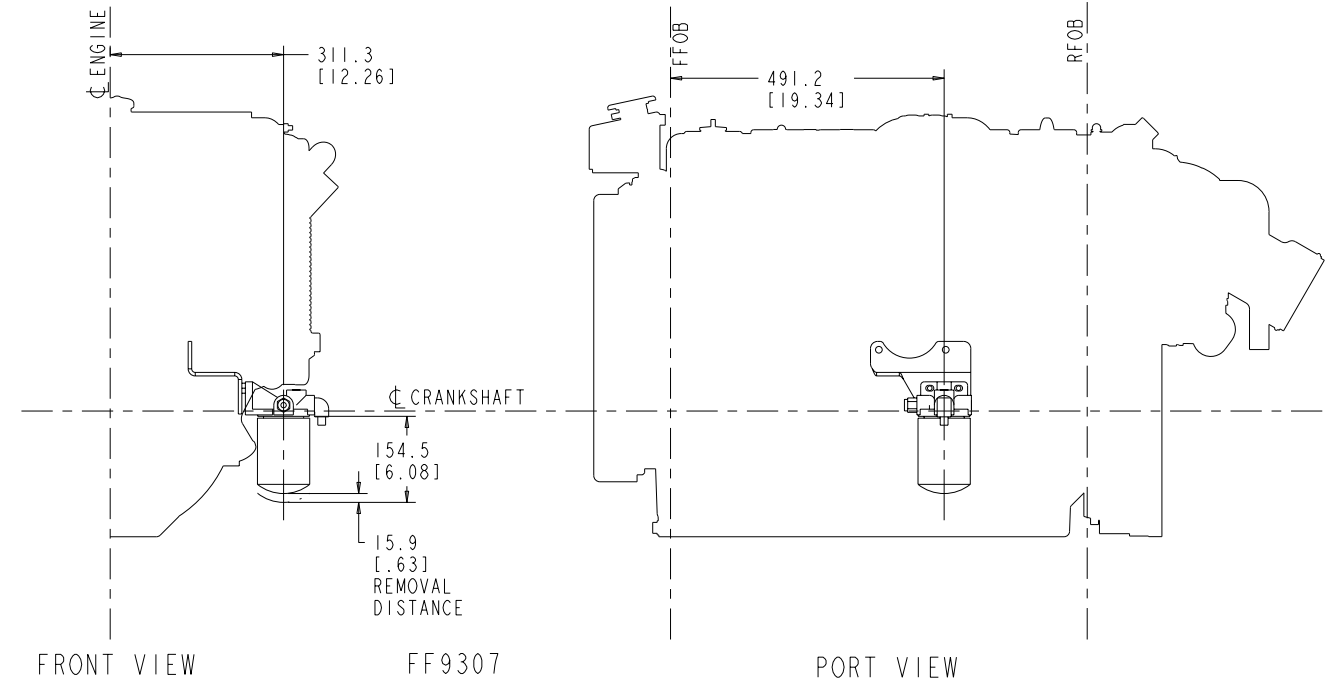
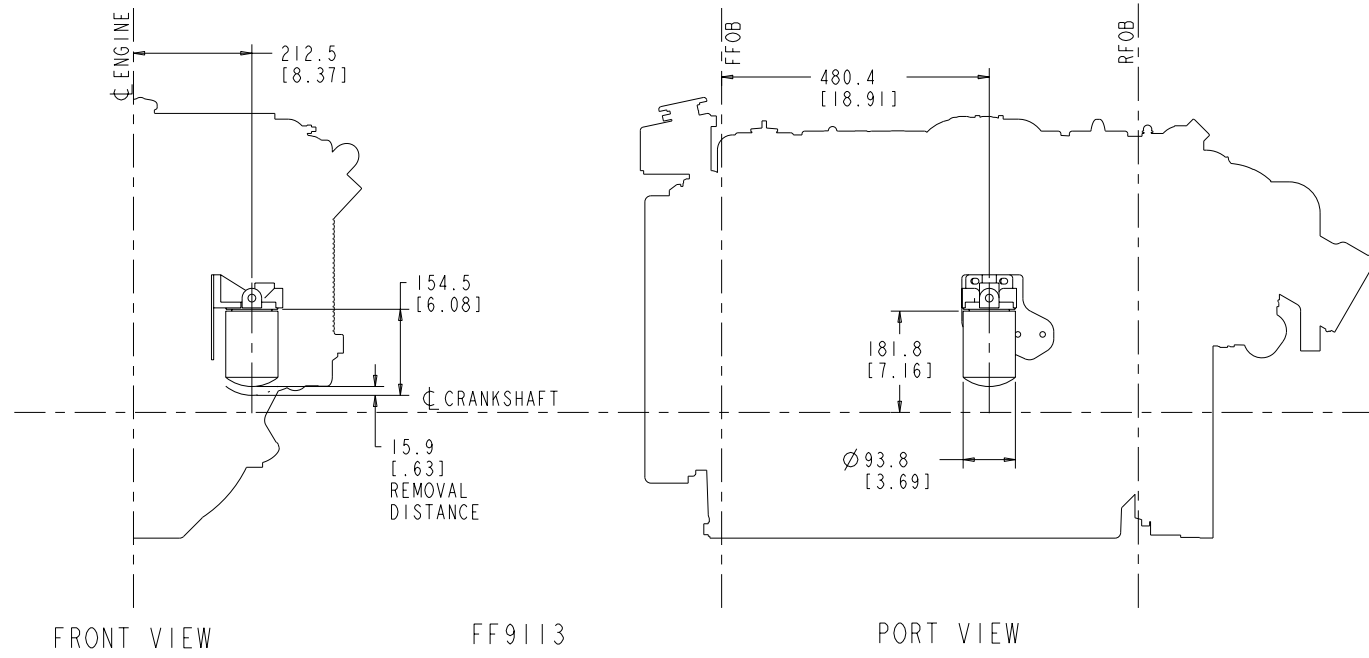
DO NOT SCALE THIS DRAWING

THIS DRAWING/DATA FILE (AND THE INFORMATION SHOWN THEREON) IS CONFIDENTIAL AND PROPRIETARY AND SHALL NOT BE USED, DISCLOSED TO OTHERS, OR REPRODUCED BY ANY MEANS FOR ANY PURPOSE IN HARD COPY FORM OR IN MACHINE READABLE FILES, WITHOUT WRITTEN CONSENT OF CUMMINS INC., MARKETING CAD SERVICES DEPARTMENT.



ITEM NUMBER
3170306

REVISIONS			
ZONE	REV	DESCRIPTION	APP'D
00		3170306.DRW	



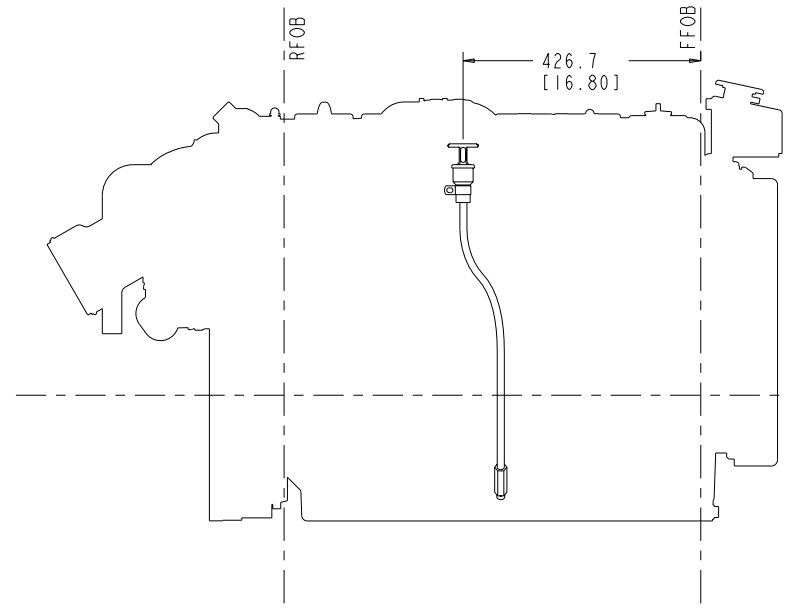
DO NOT SCALE THIS DRAWING

THIS DRAWING/DATA FILE (AND THE INFORMATION SHOWN THEREON) IS CONFIDENTIAL AND PROPRIETARY AND SHALL NOT BE USED, DISCLOSED TO OTHERS, OR REPRODUCED BY ANY MEANS FOR ANY PURPOSE IN HARD COPY FORM OR IN MACHINE READABLE FILES, WITHOUT WRITTEN CONSENT OF CUMMINS INC., MARKETING CAD SERVICES DEPARTMENT.

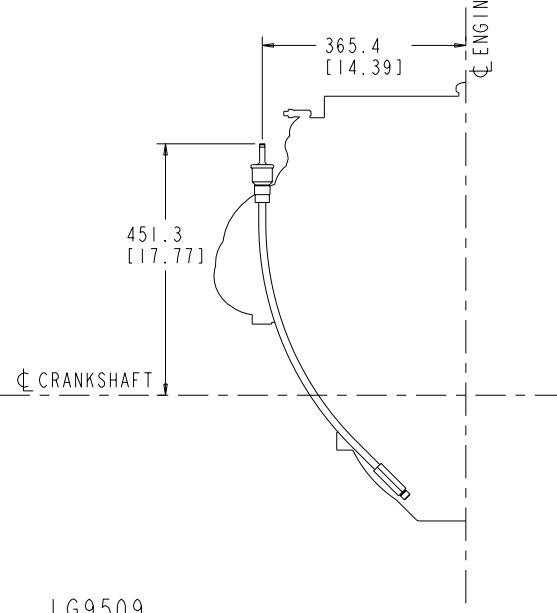
PRODUCT GRAPHICS FILE
NO ORIGINAL DRAWING EXISTS FOR THIS ITEM. THE ENGINEERING GRAPHICS DATA FOR THIS ITEM RESIDES IN THE PRODUCT GRAPHICS FILE AND IS CONTROLLED BY THE AGENCY DESIGNATED AS HAVING ITEM CONTROL.

LAST SECTION LETTER USED: A	REF. DRAWING STANDARDS: ANSI Y14.5M ISO 81101	CUMMINS INC.	
UNLESS OTHERWISE SPECIFIED DIMENSIONS ARE IN: MILLIMETERS () ARE IN: INCHES	ITEM NAME 6BTA5.9M SW 370,330,315,280HP	IDENTIFIER	
DWN: UNCHECKED	SIZE CODE (IDENT. NO.)	ITEM NUMBER	
APPD: UNCHECKED	SCALE: 1:1 & NOTES	3170306	
	ITEM CONTROL: MCS	SHEET 5 OF 7	

REVISIONS			
ZONE	REV	DESCRIPTION	APP'D
00		3170306.DRW	

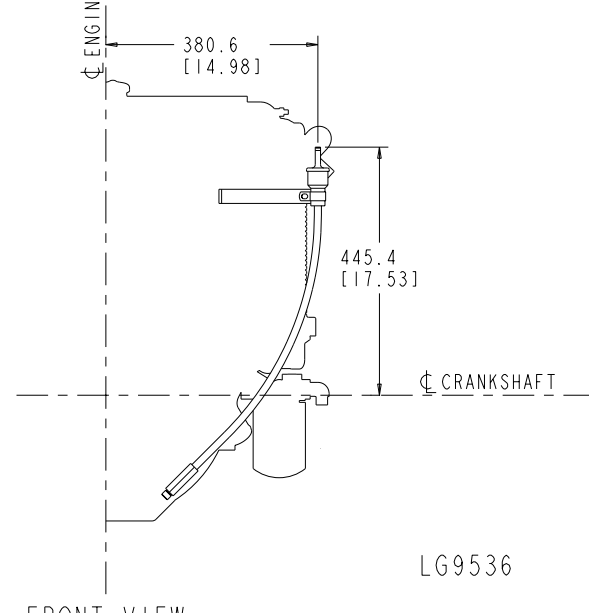


STARBOARD VIEW



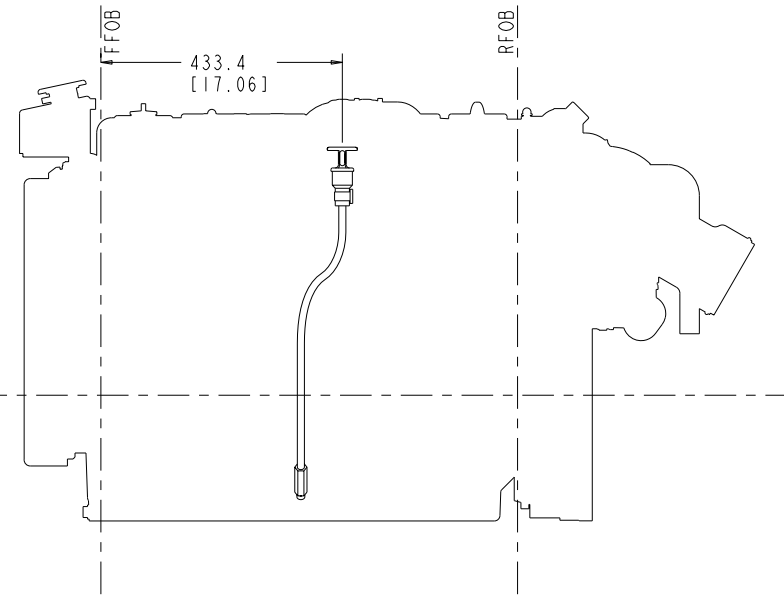
LG9509

FRONT VIEW

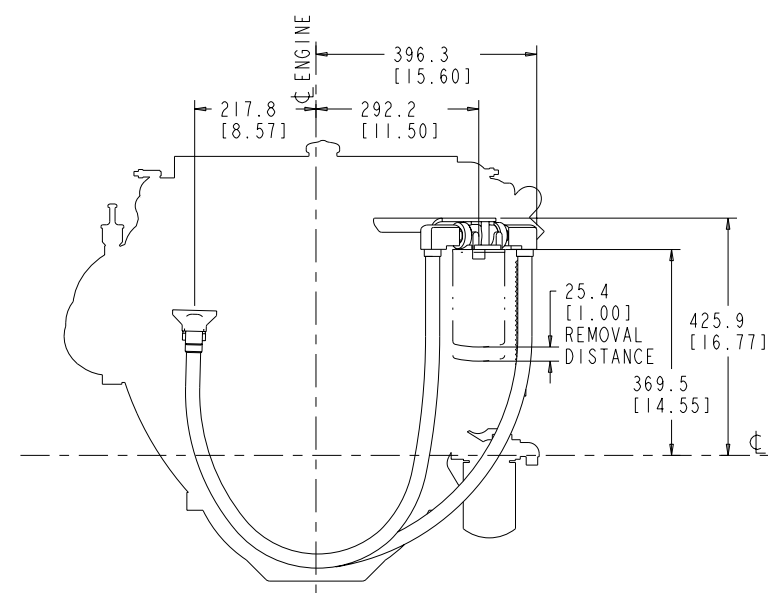


LG9536

FRONT VIEW

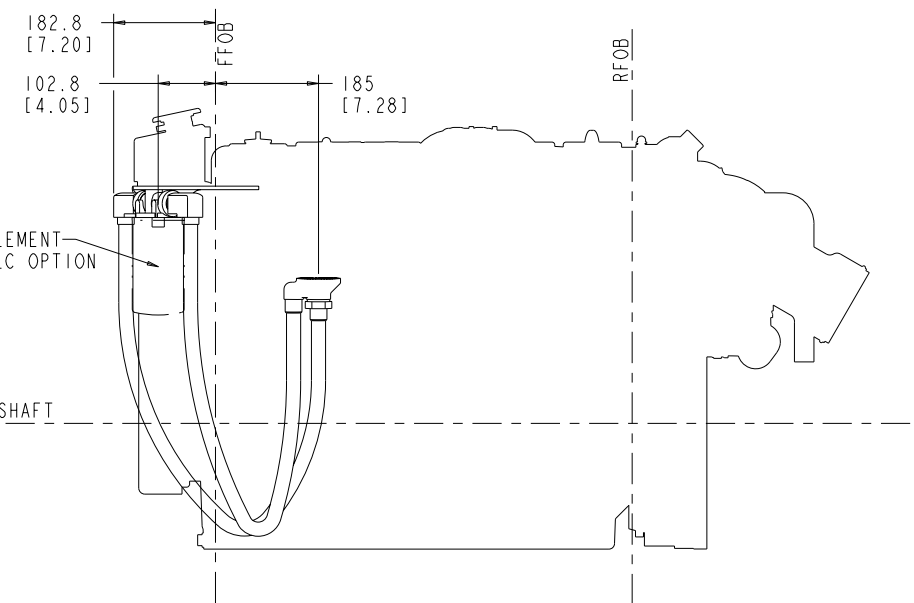


PORT VIEW

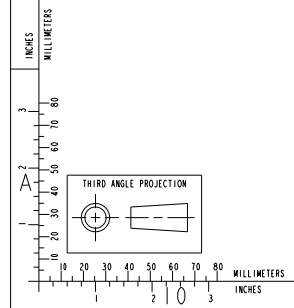


LF9074

FRONT VIEW



PORT VIEW



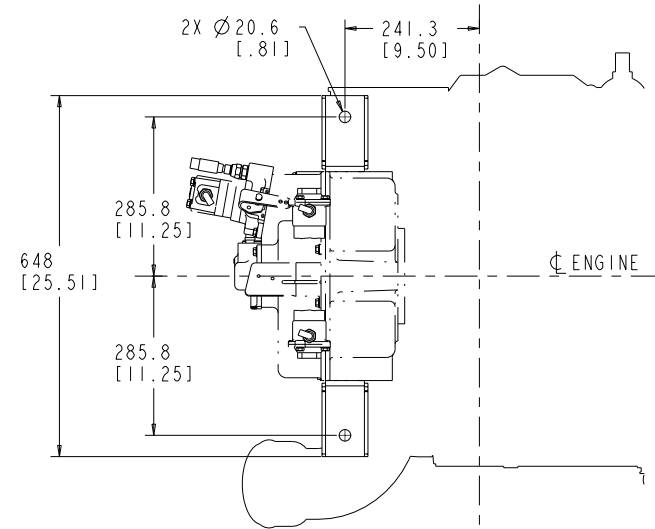
PRODUCT GRAPHICS FILE
NO ORIGINAL DRAWING EXISTS FOR THIS ITEM. THE ENGINEERING GRAPHICS DATA FOR THIS ITEM RESIDES IN THE PRODUCT GRAPHICS FILE AND IS CONTROLLED BY THE AGENCY DESIGNATED AS HAVING ITEM CONTROL.

DO NOT SCALE THIS DRAWING
THIS DRAWING/DATA FILE (AND THE INFORMATION SHOWN THEREON) IS CONFIDENTIAL AND PROPRIETARY AND SHALL NOT BE USED, DISCLOSED TO OTHERS, OR REPRODUCED BY ANY MEANS FOR ANY PURPOSE IN HARD COPY FORM OR IN MACHINE READABLE FILES, WITHOUT WRITTEN CONSENT OF CUMMINS INC., MARKETING CAD SERVICES DEPARTMENT.

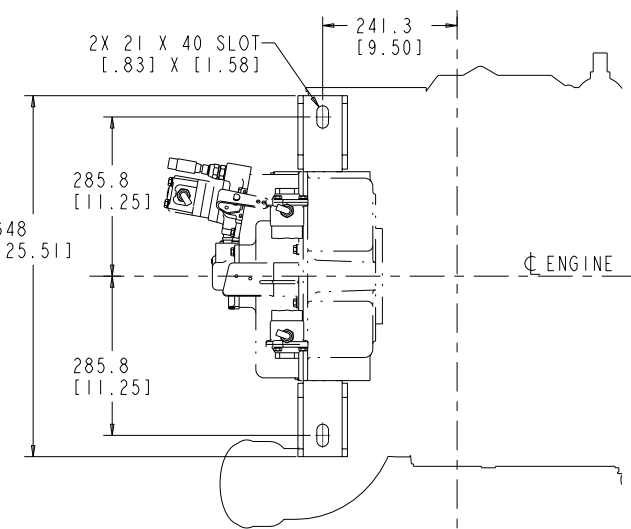
LAST SECTION LETTER USED: A	REF. DRAWING STANDARDS: ANSI Y14.5M ISO 81101	CUMMINS INC.	
UNLESS OTHERWISE SPECIFIED DIMENSIONS ARE IN: MILLIMETERS () ARE IN: INCHES	ITEM NAME 6BTA5.9M SW 370,330,315,280HP	IDENTIFIER	
DWN: TMO/TGANG	SIZE CODE (IDENT. NO.)	ITEM NUMBER	
CHD: UNCHECKED	J	3170306	
APPD:	SCALE: 1:1 & NOTED	ITEM CONTROL: MCS	SHEET 6 OF 7

ITEM NUMBER
3170306

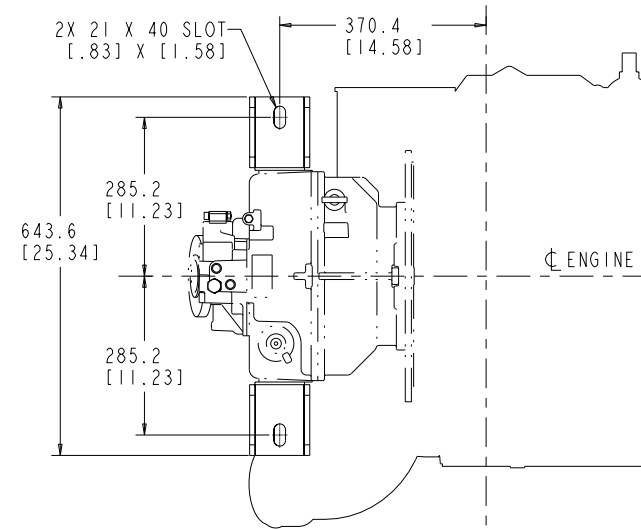
REVISIONS		OWN	APP'D
ZONE	REV	DATE	
00		8/12/83	



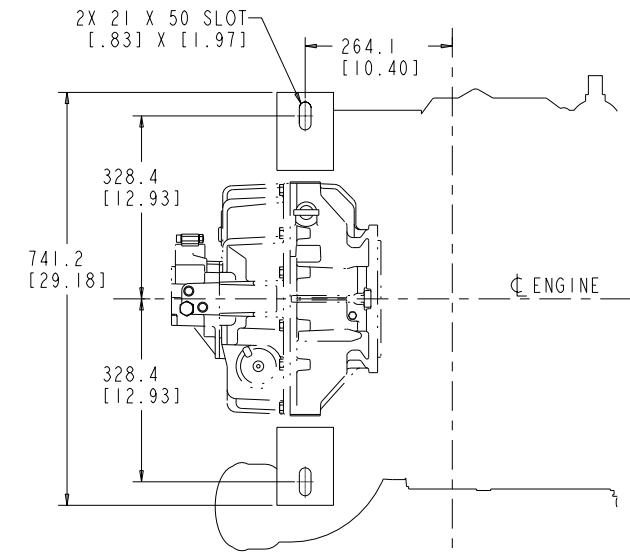
TOP VIEW



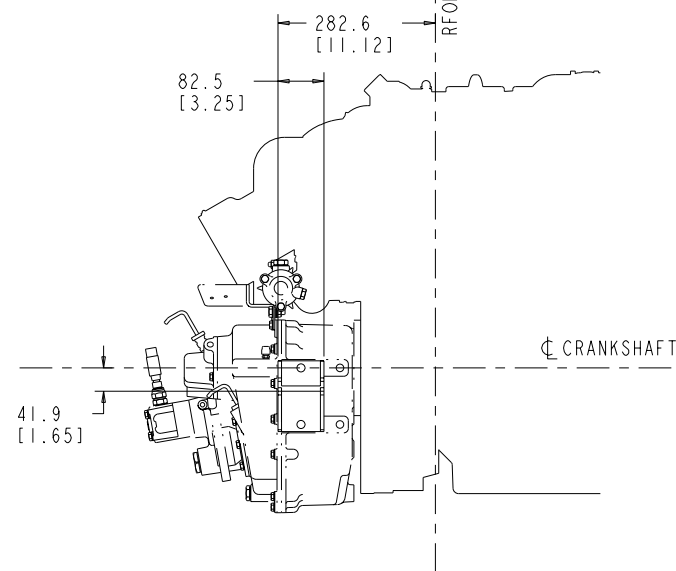
TOP VIEW



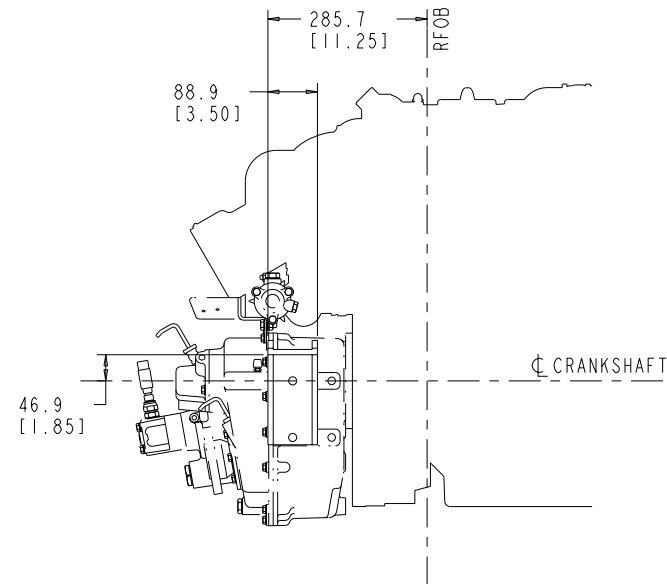
TOP VIEW



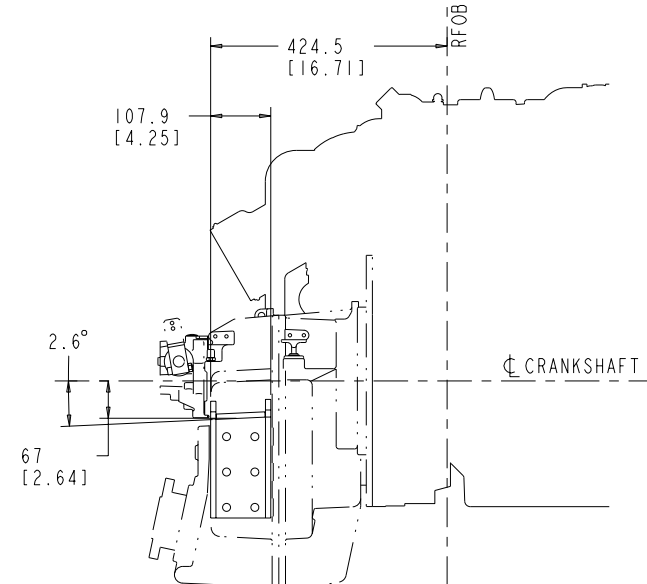
TOP VIEW



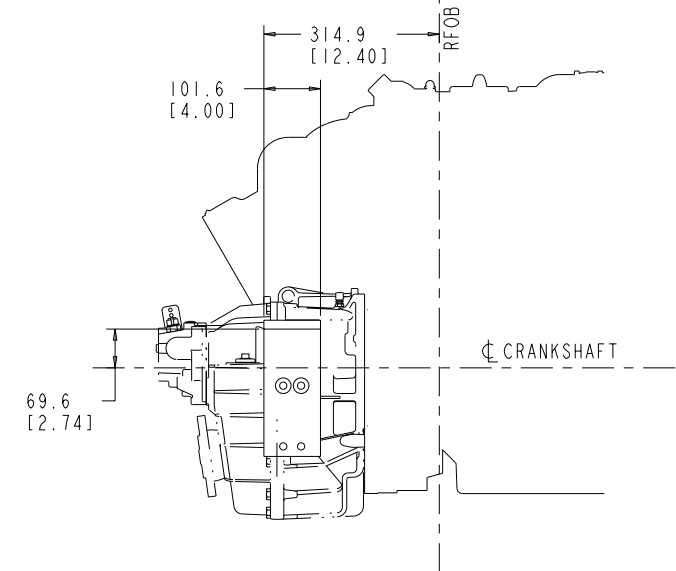
STARBOARD VIEW
SA9013



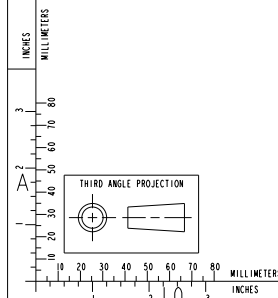
STARBOARD VIEW
SA9015



STARBOARD VIEW
SA9019



STARBOARD VIEW
SA9027



DO NOT SCALE THIS DRAWING

THIS DRAWING/DATA FILE (AND THE INFORMATION SHOWN THEREON) IS CONFIDENTIAL AND PROPRIETARY AND SHALL NOT BE USED, DISCLOSED TO OTHERS, OR REPRODUCED BY ANY MEANS FOR ANY PURPOSE IN HARD COPY FORM OR IN MACHINE READABLE FILES, WITHOUT WRITTEN CONSENT OF CUMMINS INC., MARKETING CAD SERVICES DEPARTMENT.

PRODUCT GRAPHICS FILE
NO ORIGINAL DRAWING EXISTS FOR THIS ITEM. THE ENGINEERING GRAPHICS DATA FOR THIS ITEM RESIDES IN THE PRODUCT GRAPHICS FILE AND IS CONTROLLED BY THE AGENCY DESIGNATED AS HAVING ITEM CONTROL.

LAST SECTION LETTER USED: A	REF. DRAWING STANDARDS: ANSI Y14.5M ISO 81101	CUMMINS INC.	
UNLESS OTHERWISE SPECIFIED DIMENSIONS ARE IN: MILLIMETERS () ARE IN: INCHES	ITEM NAME 6BTA5.9M SW 370,330,315,280HP	IDENTIFIER INSTALLATION DIAGRAM	
DWN: TMO/FGANG	SIZE CODE (IDENT. NO.)	ITEM NUMBER 3170306	SCALE: 1:1 & NOTES
CHD: UNCHECKED	APPD:	ITEM CONTROL: MCS	SHEET 7 OF 7